

Specification

Compression Type	Scroll Compressor	Refrigerant	R410A
Speed	Fixed	Power Source	208-230V / 60Hz
Application1	Air conditioning - Unitary	Application2	
Application3		Application4	
Application5			

Performance

Capacity[BTU/HR]	30,800	Input [Watts]	2906
EER[BTU/W.HR]	10.60	Noise [dB]	71
Vibration [um]	30	RPM	

Mechanical

Displacement [cm ³ / rev]	29.55	Weight [kg]	23.4 kg
Compressor Cooling			

Electrical

Starting Capacitor [MFD/VAC]		Running Current	
Protection Type	Internal OLP	Max Continuous Current [A]	22.9
Lock Rotor Ampere [A]	75	Running Capacitor [MFD/VAC]	45/370
Rated Revolution		Max Continuous Ampere	
Max Operation Current		OLP	
Capacitor		Motor Type	
Starting Torque			

Test Condition	ARI		
Evaporating Temperature[°C]		Condensing Temperature[°C]	
Subcooled Temperature[°C]		Superheated Temperature[°C]	
Ambient Temperature[°C]			°

Standard	UL		
----------	----	--	--

Performance

RATING CONDITIONS 20 °F Superheat 15 °F Sub Cooling 95 °F Ambient Air Over 60Hz Operation	RATED PERFORMANCE SCROLL COMPRESSOR APG031KA R410A	
--	---	--

CAPACITY (BTU/HR)

Condensing Temperature		Evaporating Temperature °F (°C)									
		-10	-5	0	10	20	30	40	45	50	55
°F	(°C)	(-23)	(-20.5)	(-17.7)	(-12.2)	(-6.7)	(-1.1)	(4.4)	(7.2)	(10.0)	(12.8)
80	(26.7)	12,807	14,300	16,100	20,500	25,800	32,100	39,400	43,400	47,600	52,000
90	(32.2)	11,900	13,400	15,100	19,300	24,400	30,400	37,400	41,200	45,300	49,500
100	(37.8)	10,700	12,100	13,800	17,800	22,700	28,500	35,200	38,800	42,700	46,800
110	(43.3)			12,300	16,100	20,800	26,400	32,700	36,200	39,932	43,800
115	(48.9)				15,300	19,800	25,300	31,500	34,900	38,500	42,300
130	(54.4)					17,000	22,000	27,700	30,900	34,200	37,800
140	(60.0)						19,900	25,400	28,400	31,500	34,900
150	(65.6)							23,200	26,000	29,000	32,200

EER (BTU/WATT-HR)

Condensing Temperature		Evaporating Temperature °F (°C)									
		-10	-5	0	10	20	30	40	45	50	55
°F	(°C)	(-23)	(-20.5)	(-17.7)	(-12.2)	(-6.7)	(-1.1)	(4.4)	(7.2)	(10.0)	(12.8)
80	(26.7)	7.8	8.7	9.8	12.5	16.1	20.6	25.6	28.4	31.1	33.8
90	(32.2)	6.4	7.2	8.1	10.4	13.5	17.3	21.6	24.1	26.5	28.9
100	(37.8)	5.0	5.7	6.5	8.5	11.0	14.3	18.0	20.0	22.1	24.2
110	(43.3)			5.1	6.7	8.9	11.5	14.7	16.4	18.2	20.0
115	(48.9)				6.0	7.9	10.3	13.2	14.7	16.4	18.1
130	(54.4)					5.5	7.3	9.4	10.6	11.8	13.2
140	(60.0)						5.8	7.5	8.5	9.5	10.6
150	(65.6)							6.0	6.8	7.6	8.5

POWER (WATTS)

Condensing Temperature		Evaporating Temperature °F (°C)									
		-10	-5	0	10	20	30	40	45	50	55
°F	(°C)	(-23)	(-20.5)	(-17.7)	(-12.2)	(-6.7)	(-1.1)	(4.4)	(7.2)	(10.0)	(12.8)
80	(26.7)	1,640	1,650	1,650	1,640	1,600	1,560	1,540	1,530	1,530	1,540
90	(32.2)	1,860	1,870	1,870	1,850	1,810	1,760	1,730	1,710	1,710	1,710
100	(37.8)	2,120	2,130	2,130	2,100	2,060	2,000	1,960	1,940	1,930	1,930
110	(43.3)			2,430	2,400	2,350	2,290	2,230	2,210	2,197	2,190
115	(48.9)				2,570	2,510	2,450	2,390	2,370	2,350	2,340
130	(54.4)					3,080	3,010	2,940	2,910	2,890	2,870
140	(60.0)						3,460	3,380	3,350	3,320	3,300
150	(65.6)							3,890	3,850	3,820	3,790

CURRENT (AMPS) @ 230 VOLTS

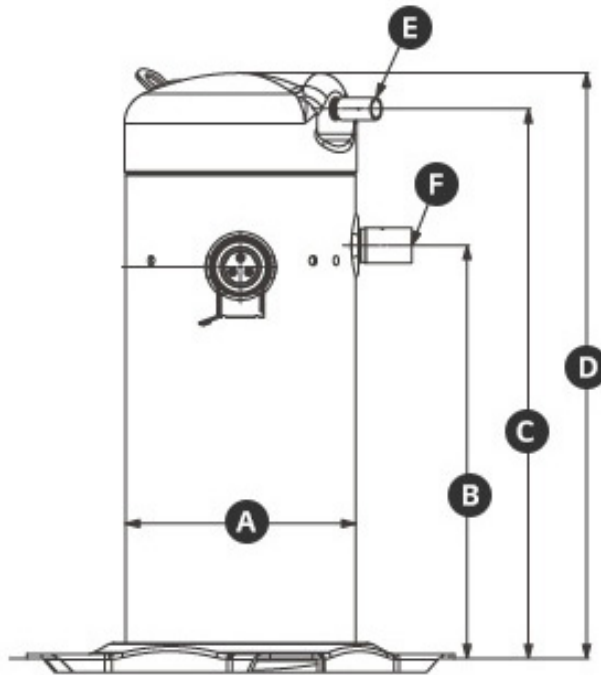
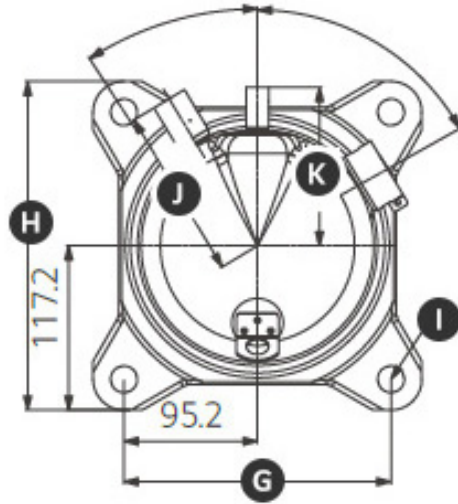
Condensing Temperature		Evaporating Temperature °F (°C)									
		-10	-5	0	10	20	30	40	45	50	55
°F	(°C)	(-23)	(-20.5)	(-17.7)	(-12.2)	(-6.7)	(-1.1)	(4.4)	(7.2)	(10.0)	(12.8)
80	(26.7)	6.8	7.0	7.1	7.1	7.0	6.9	6.9	7.0	7.2	7.5
90	(32.2)	7.8	8.0	8.1	8.0	7.8	7.6	7.4	7.5	7.6	7.8
100	(37.8)	9.1	9.3	9.3	9.2	8.9	8.5	8.3	8.3	8.3	8.5
110	(43.3)			10.7	10.6	10.2	9.8	9.5	9.4	9.4	9.5
115	(48.9)				11.3	11.0	10.5	10.2	10.1	10.1	10.1
130	(54.4)					13.6	13.1	12.7	12.6	12.6	12.6
140	(60.0)						15.2	14.8	14.7	14.7	14.7
150	(65.6)							17.2	17.1	17.0	17.1

MASS FLOW (LBS/HR)

Condensing Temperature		Evaporating Temperature °F (°C)									
		-10	-5	0	10	20	30	40	45	50	55
°F	(°C)	(-23)	(-20.5)	(-17.7)	(-12.2)	(-6.7)	(-1.1)	(4.4)	(7.2)	(10.0)	(12.8)
80	(26.7)	154.0	170.0	190.0	240.0	300.0	370.0	450.0	490.0	530.0	580.0
90	(32.2)	150.0	170.0	190.0	240.0	300.0	360.0	440.0	490.0	530.0	580.0
100	(37.8)	140.0	160.0	180.0	230.0	290.0	360.0	440.0	480.0	520.0	570.0
110	(43.3)			170.0	220.0	280.0	350.0	430.0	470.0	520.0	560.0
115	(48.9)				210.0	270.0	340.0	420.0	470.0	510.0	560.0
130	(54.4)					260.0	330.0	410.0	450.0	500.0	550.0
140	(60.0)						320.0	400.0	440.0	490.0	540.0
150	(65.6)							400.0	440.0	490.0	540.0

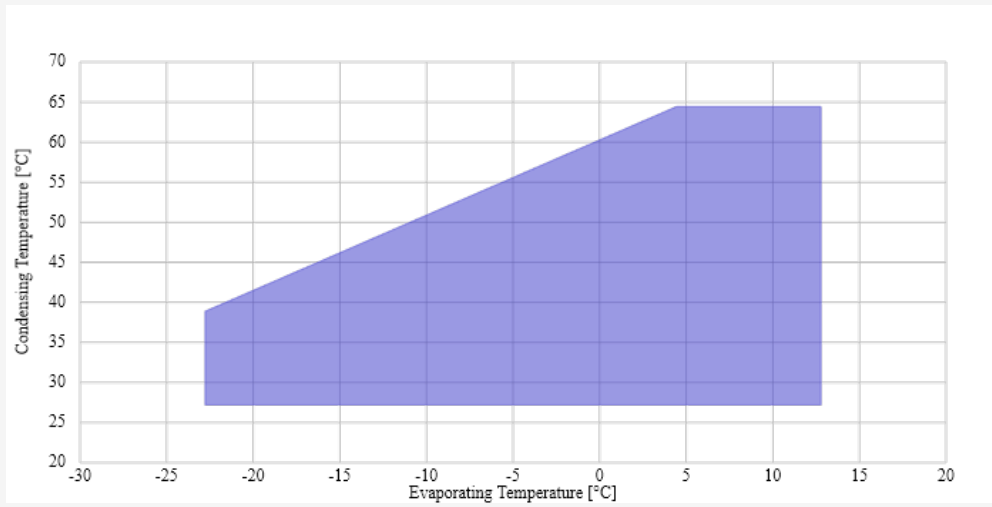
Nominal Performance Values (±5%) based on minimum 72 hours run-in. Subject to change without notice.

Drawing



A(∅)	144.2
B(mm)	263
C(mm)	362
D(mm)	385
E(I.D ∅)	12.7-12.9
F(I.D ∅)	19.1-19.3
G(mm)	190.5
H(mm)	234.5
I(∅)	19

Operation Envelop



R410A