

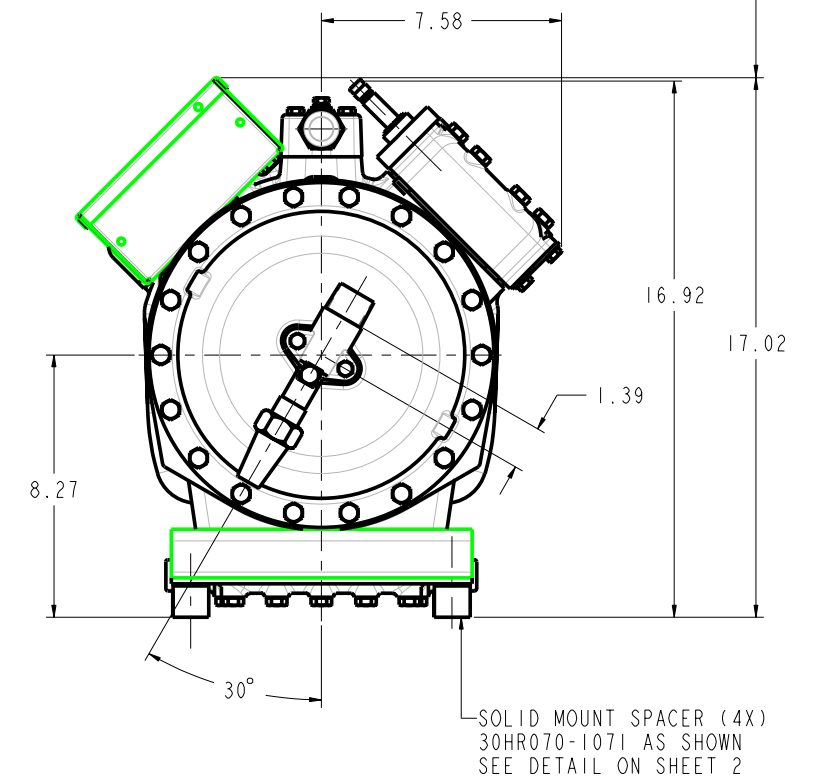
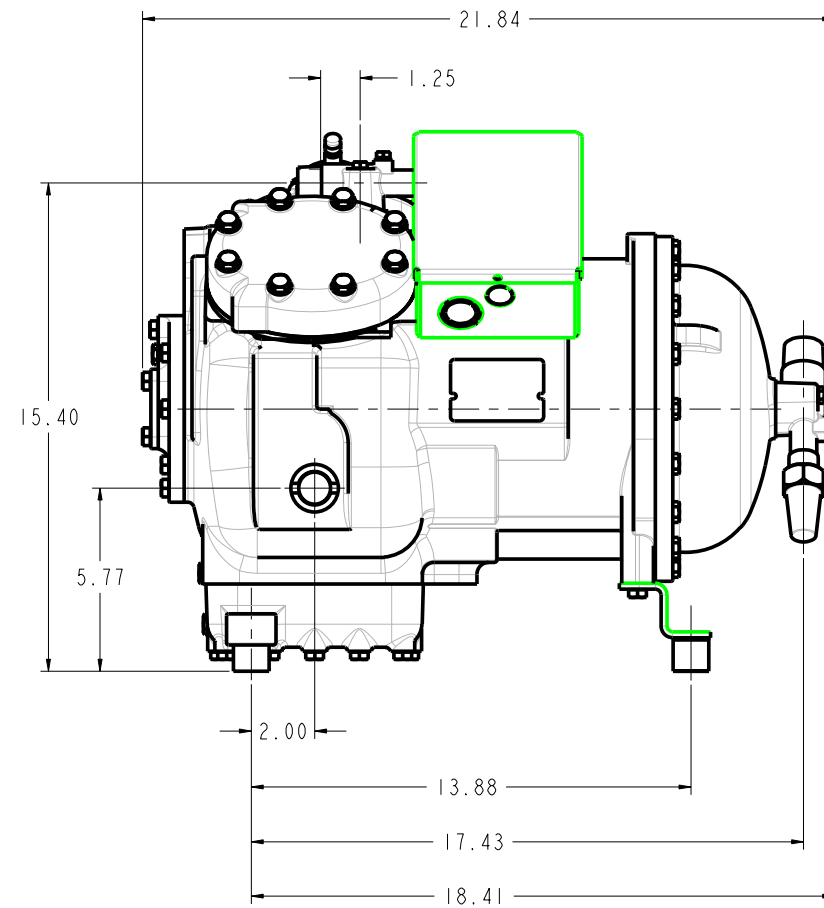
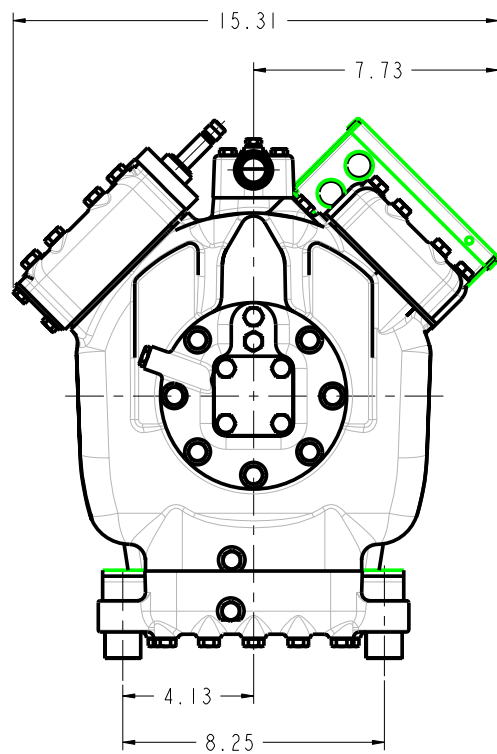
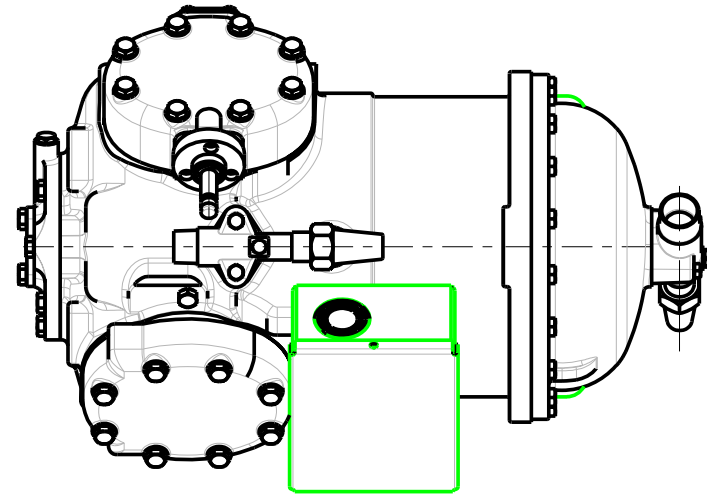
MODELS REPRESENTED	CFM	HP
06DA818	18.3	6.5

* ALL DIMENSIONS SHOWN IN INCHES

MAX HEIGHT SUMMARY TABLE

UNLOADER	HEAD FAN	MAX HEIGHT(INCHES)
NONE	NO	17.02
ELECTRIC	NO	17.02
PRESSURE	NO	17.97

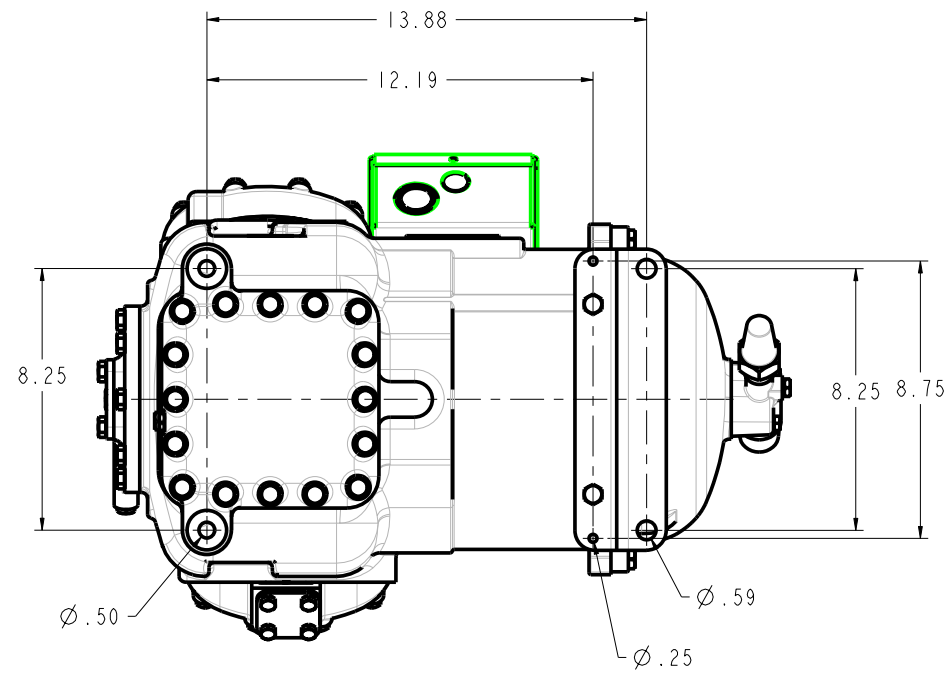
* MAXIMUM HEIGHT SHOWN FOR VARIOUS COMPRESSOR CONFIGURATIONS



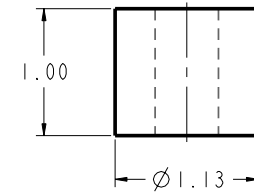
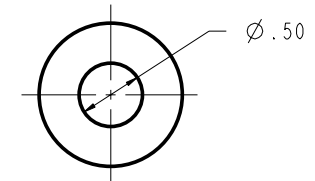
* SEE ABOVE TABLE FOR OTHER COMPRESSOR CONFIGURATIONS

MODELS REPRESENTED	CFM	HP
06DA818	18.3	6.5

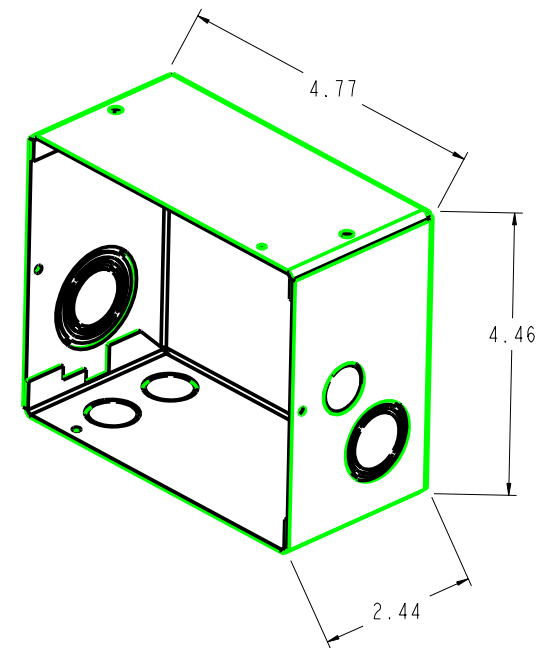
* ALL DIMENSIONS SHOWN IN INCHES



BOTTOM VIEW
MOUNTING BOLT PATTERN



30HR070-1071
SOLID MOUNT
SCALE 2.000



ELECTRICAL BOX KNOCKOUT
SIZE COMBINATIONS