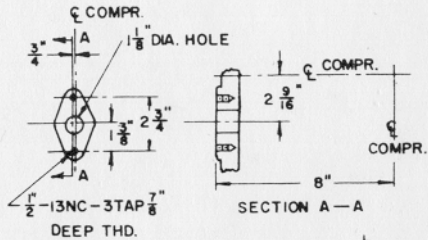


NOTES:

1. SHAFT DETAIL DRAWING 5F-531
2. COMPRESSOR MAY BE OPERATED IN EITHER DIRECTION OF ROTATION. STANDARD ROTATION IS COUNTER CLOCKWISE LOOKING FROM THE PUMP END; FOR REVERSE ROTATION ROTATE OIL PUMP 180°
3. NET WEIGHT 1580LBS. INCLUDES OIL BUT NOT REFRIGERANT CHARGE.

	YES	NO		YES	NO
FLYWHEEL	<input type="checkbox"/>	<input type="checkbox"/>	CRANKCASE COVER PLATES FOR COMPRESSOR INTERCONNECTION	<input type="checkbox"/>	<input type="checkbox"/>
WATER COOLED HEADS	<input type="checkbox"/>	<input type="checkbox"/>		<input type="checkbox"/>	<input type="checkbox"/>



DETAIL OF GAS EQUALIZER FLANGED CONN. TO CRANKCASE (FURNISHED WITH BLIND FLANGE)

OIL FILLER PLUG & OIL SAFETY SWITCH CONN. IN BEARING HEAD

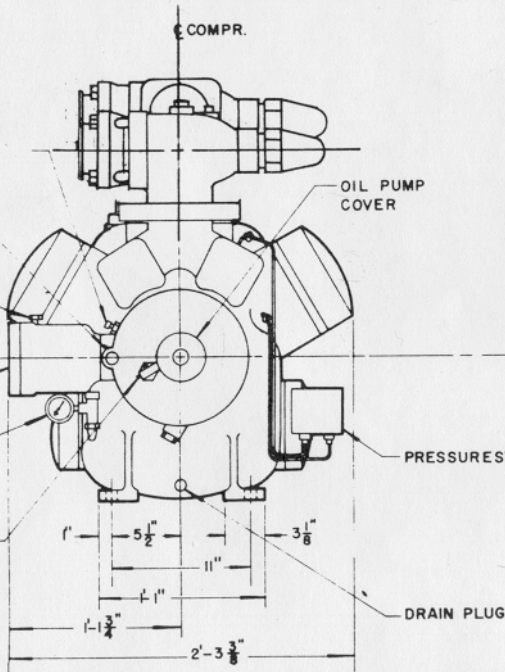
1/2\"/>

1/2\"/>

OIL FILTER

OIL PRESSURE GAUGE

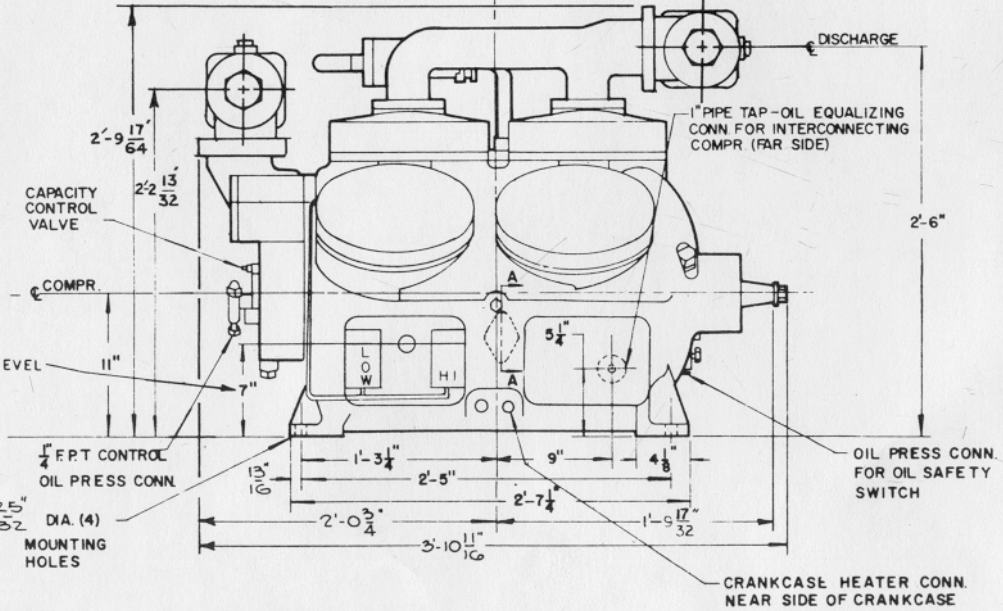
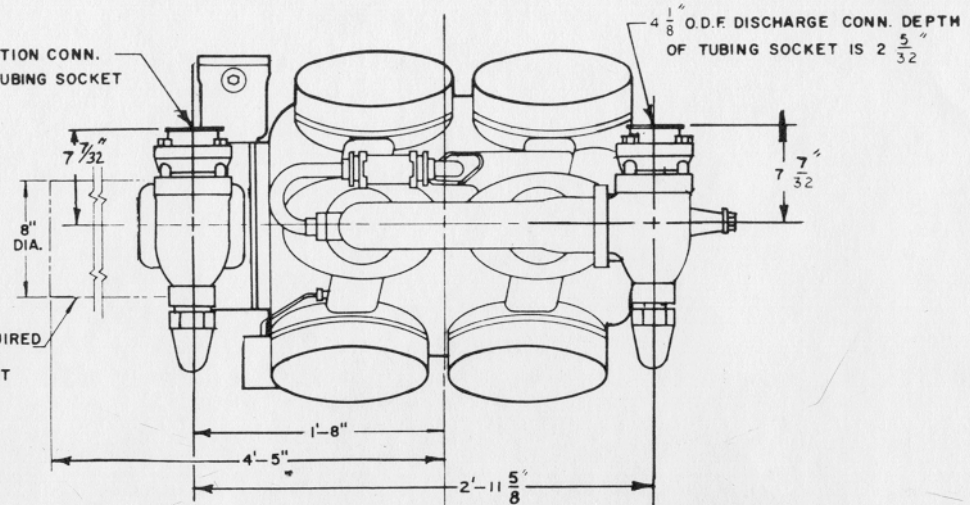
CONTROL OIL FILTER IN BRG. HD.



COMPRESSOR

4 1/8\"/>

SPACE REQUIRED TO REMOVE CRANKSHAFT



MARK FOR _____

PART NO. _____ TYPE DRIVE: DIRECT BELT

RPM _____ DESIGN BHP INPUT _____ MOTOR HP. _____

SAT SUCTION TEMP _____ F. SAT DISCHARGE TEMP _____ F

REFRIGERATION EFFECT _____ TONS. REFRIGERANT NO. _____

JOB NAME _____

JOB LOCATION _____

BUYER _____

BUYER NO. _____ CARRIER NO. _____

DIMENSIONS CERTIFIED BY _____ DATE _____

DATE	SUPERSEDES	5H120-A201
9-9-74		REV. A
		DTD 2-21-75

COMPRESSOR ASSEMBLY
5H120 & 5H126

5H120-A201

REV. B

REL 5H120-A201 SUPERSEDES 5H120 DTD 2-1-67 NO REV

THIS DRAWING IS THE PROPERTY OF
 CARRIER AIR CONDITIONING COMPANY
 DIVISION OF CARRIER CORPORATION, STRONG HAVEN,
 ALL OER IS FORBIDDEN EXCEPT BY WRITTEN CONSENT

5H