

CODES: MO & OC

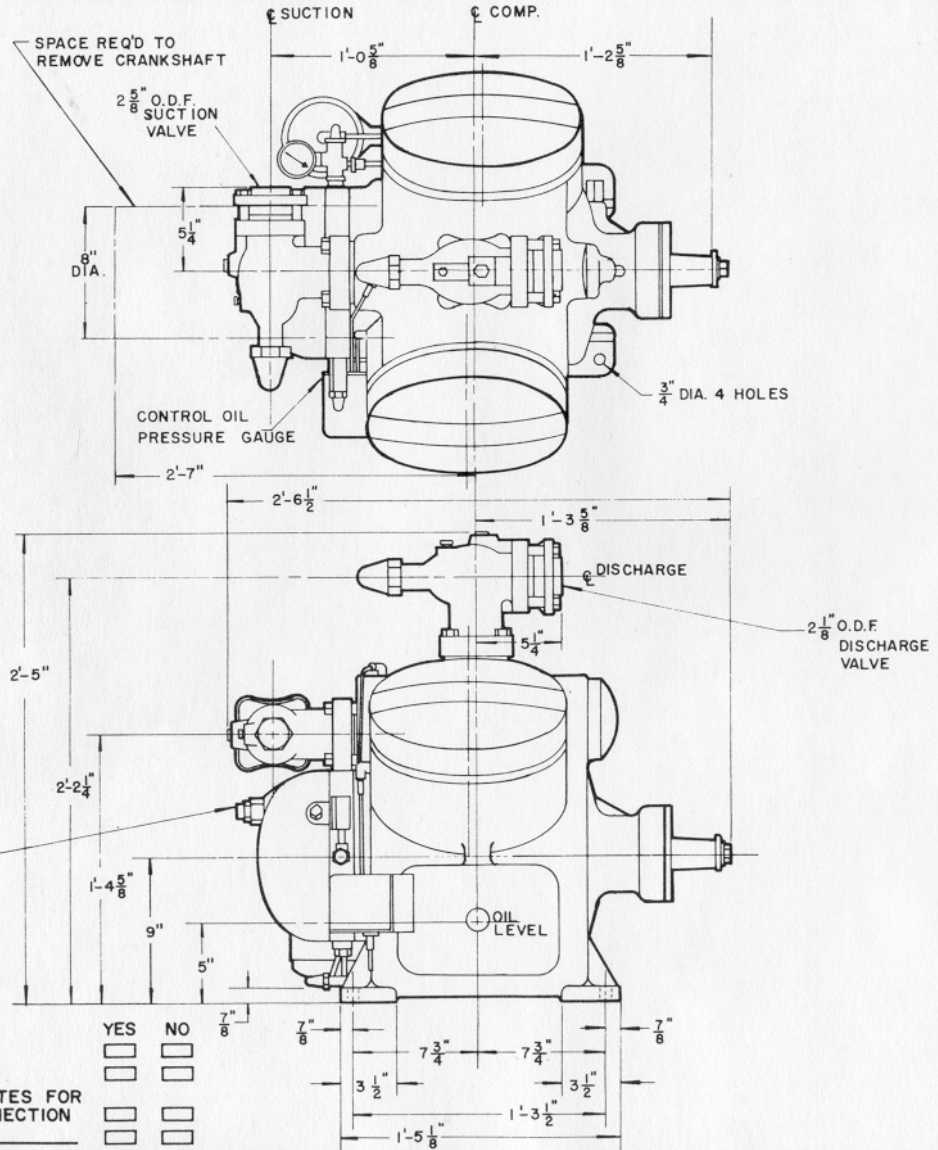
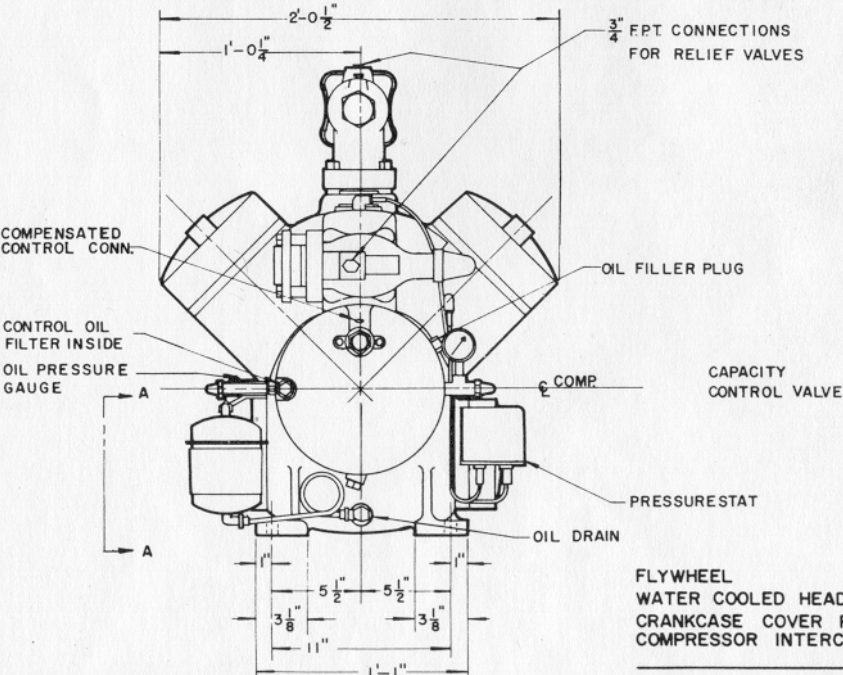
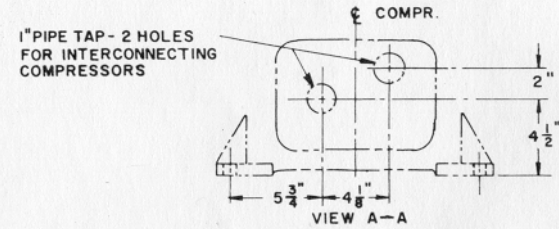
COMPRESSOR

JOB NAME _____
 JOB LOCATION _____
 BUYER _____
 BUYER NO. _____ CARRIER NO. _____
 DIMENSIONS CERTIFIED BY _____ DATE _____

MARK FOR _____
 PART NO. _____ TYPE DRIVE: DIRECT BELT
 RPM _____ DESIGN BHP INPUT _____ MOTOR HP. _____
 SAT SUCTION TEMP _____ F. SAT DISCHARGE TEMP _____ F
 REFRIGERATION EFFECT _____ TONS. REFRIGERANT NO. _____

NOTES:

1. SHAFT DETAIL DRAWING 5F-531
2. COMPRESSOR MAY BE OPERATED IN EITHER DIRECTION OF ROTATION. STANDARD ROTATION IS COUNTER CLOCKWISE LOOKING FROM THE PUMP END; FOR REVERSE ROTATION ROTATE OIL PUMP 180°.
3. NET WEIGHT 610 LBS. INCLUDES OIL BUT NOT REFRIGERANT CHARGE.



YES	NO
<input type="checkbox"/>	<input type="checkbox"/>
<input type="checkbox"/>	<input type="checkbox"/>
<input type="checkbox"/>	<input type="checkbox"/>
<input type="checkbox"/>	<input type="checkbox"/>



THIS DRAWING IS THE PERSONAL PROPERTY OF
 CARRIER AIR CONDITIONING COMPANY
 DIVISION OF CARRIER CORPORATION - SYRACUSE, N.Y.
 ALL USE IS FORBIDDEN EXCEPT ON ITS WRITTEN CONSENT

5H

5H40 & 46 COMPRESSOR ASSEMBLY

5H-040

REV. A

DR. G.R.C.	TR. JRS.	DATE 12-23-64
CHK. C.E.D.	APPD. C.E.D.	SUPERSEDES ISSUE OF 5-10-61