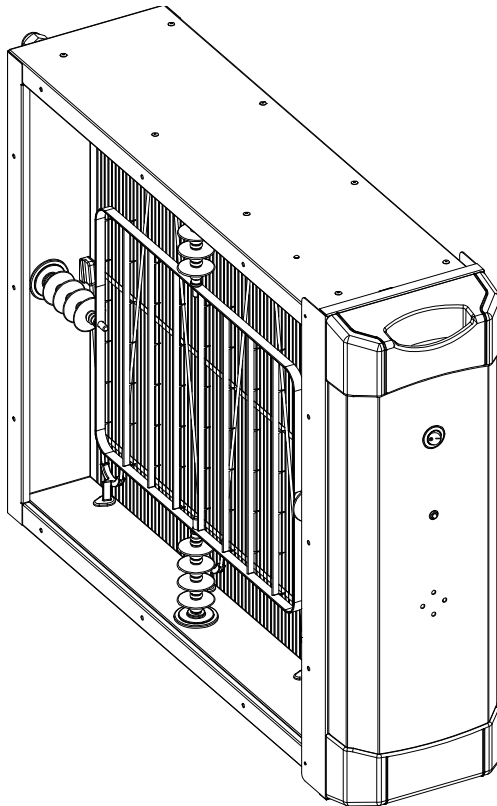


**DGAPAXX**  
**Evolution® Air Purifier**  
**Sizes 1620, 1625, 2020, 2025, 2420**



## Product Data



The Evolution air purifier treats the air flowing through your HVAC system's air handler.

It combines outstanding filtration efficiency of a MERV 15<sup>1</sup> rating with pathogen-killing technology to deliver enhanced air purification.

The Evolution air purifier is designed to require minimal maintenance, limited to the replacement of the air purification cartridge and inspection/brush cleaning of the ionization array. Frequency of air purifier cartridge replacement and cleaning of the ionization array may vary depending on ductwork design and local environmental conditions.

### Features / Benefits

**Filtration Performance** — High efficiency MERV 15<sup>1</sup>

**Purification Performance** — Featuring patented Captures & Kills® technology, the Evolution air purifier offers proven, third-party tested effectiveness with a 99% inactivation of captured viruses and germs when used as instructed, including:<sup>2</sup>

- Coronavirus
- Common cold surrogate
- Bacteria that causes strep throat
- Human influenza

**Simple** — Virtually no cleaning required. Simply change purifier cartridge periodically.

**Easy to Install** — Five distinct cabinet sizes help to ensure a perfect fit to the bottom and side of most fan coils and furnaces. Includes power cords.

**Application Possibilities** — Unit can be installed in a horizontal or vertical position, which makes it equally adaptable to horizontal, downflow, or standard upflow applications.

**Solid-State Power Supply** — Power supply is a highly reliable, dual voltage compatible, state-of-the-art, solid-state device.

**Durable Cabinet** — Heavy-gauge steel cabinet supports up to 400 lb when installed beneath a fan coil.

**Agency Listed** — Model DGAP air purifier is UL (Canada and US) listed.

**Financing** — Eligible for consumer financing program.

A11332



ZERO OZONE EMISSIONS –  
MEASURED OZONE EMISSIONS  
FROM EVOLUTION™ AIR PURIFIER  
DURING USE PHASE DOES NOT  
EXCEED 0.005 PPM AS TESTED  
ACCORDING TO CSA C22.2  
NO. 187-20.  
UL.COM/ECV



A22114BR

1. MERV is a filter efficiency standard ranging from 1 to 16 (higher MERV = higher efficiency). The Evolution air purifier achieves a MERV 15 rating based on third-party testing (2012) showing 95% of particles size 1.0 to 3.0 microns captured and 85% of particles size 0.3 to 1.0 microns captured.

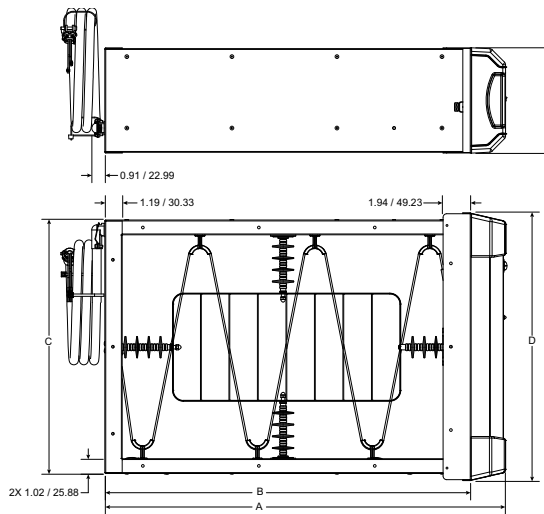
2. The Evolution air purifier has demonstrated effectiveness against the murine coronavirus, based on third-party testing (2020) showing a >99% inactivation, which is a virus similar to the human novel coronavirus (SARS-CoV-2) that causes COVID-19. Therefore, the Evolution air purifier can be expected to be effective against SARS-CoV-2 when used in accordance with its directions for use. Third-party testing (2012, 2007) also shows ≥99% inactivation for the type of virus that causes common colds, Streptococcus pyogenes and human influenza. Airborne particles must flow through your HVAC system and be trapped by the filter to be inactivated at 99%.

### Specifications and Dimensions

SPECIFICATIONS	DGAPAXX1620	DGAPAXX1625	DGAPAXX2020	DGAPAXX2025	DGAPAXX2420
Filtration Efficiency *	MERV 15				
Electrical	Dual voltage power supply 115/60/1, 208-230/60/1 built into door. 6 ft. conduit with (3) 18AWG wires with quick connect terminals				
Purification Performance	99% inactivation for murine coronavirus, human influenza virus, common cold virus, streptococcus bacteria				
Cabinet & Color	G60 steel, Granite Grey, RoHS compliant				
Maximum Air Flow, CFM [LPS] *	1600 [755]	1800 [850]	1800 [850]	2200 [1038]	2200 [1038]
Ozone Produced (max allowed is 0.05 PPM)	Maximum ozone produced at 375 CFM is 0.014499 PPM. <sup>†</sup> Maximum ozone produced at 2200 CFM is 0.002231 PPM.*				
Initial press. drop with clean filter					
	CFM [LPS]				
	In. wg [pa]				
400 [189]	0.05 [12]	0.03 [8]	0.04 [10]	0.03 [8]	0.04 [10]
600 [283]	0.08 [21]	0.06 [15]	0.07 [17]	0.05 [13]	0.06 [16]
800 [378]	0.13 [33]	0.10 [24]	0.10 [26]	0.08 [20]	0.09 [23]
1000 [472]	0.19 [47]	0.14 [35]	0.14 [35]	0.11 [26]	0.12 [30]
1200 [566]	0.26 [64]	0.19 [48]	0.18 [46]	0.14 [34]	0.15 [38]
1400 [661]	0.33 [82]	0.25 [63]	0.23 [58]	0.17 [43]	0.19 [47]
1600 [755]	0.42 [105]	0.32 [80]	0.29 [72]	0.21 [52]	0.22 [55]
1800 [850]	-	0.40 [100]	0.34 [85]	0.25 [63]	0.26 [64]
2000 [944]	-	-	-	0.29 [72]	0.31 [77]
2200 [1038]	-	-	-	0.34 [85]	0.35 [87]
Dust Holding Capacity @ 0.5 in wg at max airflow (grams ASHRAE Dust)	36	37	38	39	39
Replacement Filter P/N (2-pk)	PGAPXCAR1620 -A02	PGAPXCAR1625 -A02	PGAPXCAR2020 -A02	PGAPXCAR2025 -A02	PGAPXCAR2420 -A02
Replacement Filter Dimensions Inches [cm]	17.3 x 21.9 x 2.6 [44 x 56 x 7]	17.3 x 24.9 x 2.6 [44 x 63 x 7]	21.0 x 21.9 x 2.6 [53 x 56 x 7]	21.0 x 24.9 x 2.6 [53 x 63 x 7]	24.5 x 21.9 x 2.6 [62 x 56 x 7]
Filter Media Surface Area Sq. Ft. [Sq. Meter]	44.8 [4.1]	50.8 [4.7]	54.5 [5.1]	61.2 [5.7]	63.6 [5.9]
Safety Screen Accessory P/N	KIT172000	KIT170000	KIT173000	KIT171000	KIT174000
Safety Screen Dimensions Inches [cm]	17.49 x 21.40 x 1.75 [44.4 x 54.4 x 4.4]	17.49 x 24.40 x 1.75 [44.4 x 62.0 x 4.4]	21.19 x 21.40 x 1.75 [53.8 x 54.4 x 4.4]	21.19 x 24.40 x 1.75 [53.8 x 62.0 x 4.4]	24.69 x 21.40 x 1.75 [62.7 x 54.4 x 4.4]
Air Flow Sensor P/N	Included	KIT160000	Included	KIT160000	Included
Flow Sensor Bypass	KIT161000	Included	KIT161000	Included	KIT161000
Weight- shipping, Lbs [kg]	30 [14]	27 [12]	26 [12]	32 [15]	29 [13]

\*. Per ASHRAE 52.2 2007

†. Meets EPA and CA limits based on CSA 22.2 #187-20



A11334

### Dimensions

UNIT	1625	2025	1620	2020	2420
<b>A</b>	27.68-in / 703mm		24.68-in / 626mm		
<b>B</b>	25.28-in / 642mm		22.28-in / 565mm		
<b>C</b>	17.49-in / 444mm	21.19-in / 538mm	17.49-in / 444mm	21.19-in / 538mm	24.69-in / 627mm
<b>D</b>	18.48-in / 469mm	22.18-in / 563mm	18.48-in / 469mm	22.18-in / 563mm	25.68-in / 652mm
<b>E</b>	7.25-in / 184mm				