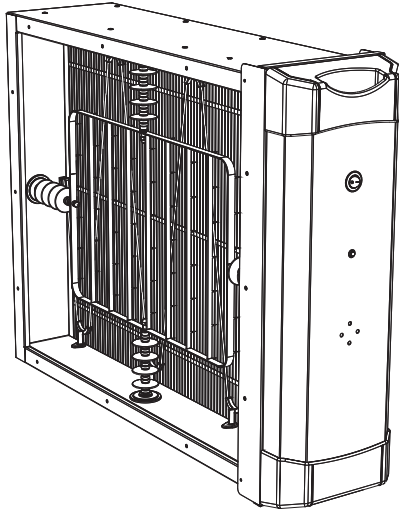




Product Data



The Preferred™ Air Purifier is designed for use in the return air duct of a forced air heating, cooling, and ventilation system.

It combines superior filtration efficiency, MERV 13, with pathogen-killing technology to deliver maximum air purification.

The Preferred™ Air Purifier is designed to require minimal maintenance. Maintenance is limited to the replacement of the air purification cartridge and inspection/brush cleaning of the ionization array. Frequency of air purifier cartridge replacement and cleaning of the ionization array may vary depending on ductwork design and local environmental conditions.

FEATURES / BENEFITS

Filtration Performance—High efficiency MERV 13.

Germicidal Performance — 96% germicidal/deactivation of human influenza virus, common cold virus and streptococcus bacteria.

Simple—Virtually no cleaning required. Simply change purifier cartridge periodically.

Easy to Install—Five distinct cabinet sizes help to ensure a perfect fit to the bottom and side of most fan coils and furnaces. Includes power cords.

Application Possibilities—Unit can be installed in a horizontal or vertical position, which makes it equally adaptable to horizontal, downflow, or standard upflow applications.

Solid-State Power Supply—Power supply is a highly reliable, dual voltage compatible, state-of-the-art, solid-state device.

Durable Cabinet—Heavy-gauge steel cabinet supports up to 400 lb when installed beneath a fan coil.

Agency Listed—Model PGAP Air Purifier is CSA (Canada and US) listed.

Financing—Eligible for consumer financing program.

A11332

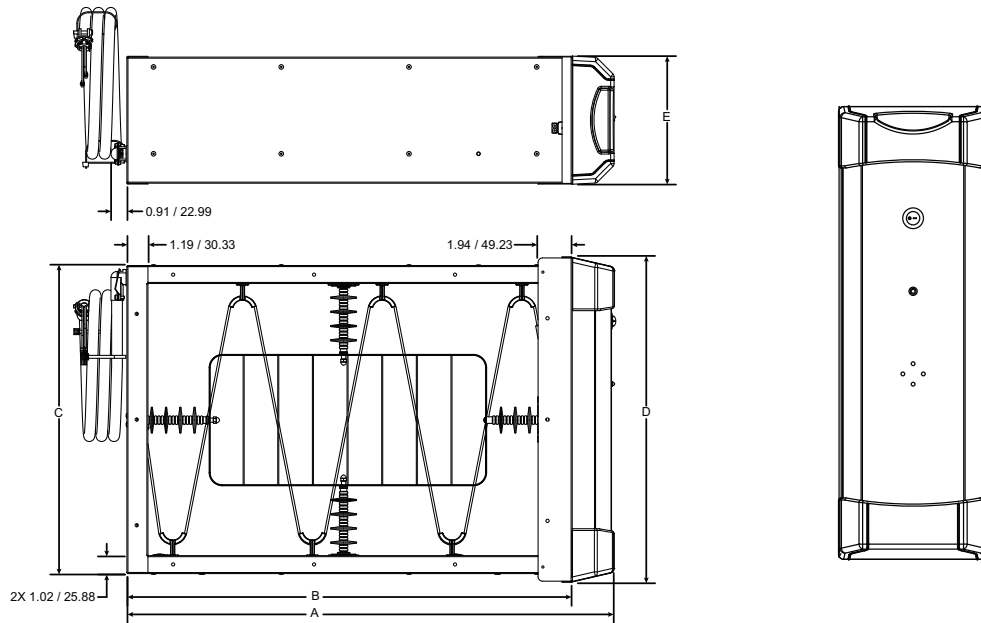
Preferred™
SERIES



CAPTURES & KILLS™

SPECIFICATIONS AND DIMENSIONS

SPECIFICATIONS	PGAPAXX1620	PGAPAXX1625	PGAPAXX2020	PGAPAXX2025	PGAPAXX2420
Filtration Efficiency	MERV 13				
Electrical	Dual voltage power supply 115/60/1, 208-230/60/1 built into door. 6 ft. conduit with (3) 18AWG wires with quick connect terminals				
Germicidal Performance	96% Germicidal / inactivation for human influenza virus, common cold virus, streptococcus bacteria				
Cabinet & Color	G60 steel, Taupe Metallic, RoHS compliant				
Maximum Air Flow, CFM [LPS]	1200 [566]	1400 [661]	1400 [661]	1750 [826]	1750 [826]
Initial press. drop with clean filter CFM [LPS]	In. wg [pa]				
400 [189]	0.05 [12]	0.03 [8]	0.04 [10]	0.03 [8]	0.04 [10]
600 [283]	0.08 [21]	0.06 [15]	0.07 [17]	0.05 [13]	0.06 [16]
800 [378]	0.13 [33]	0.10 [24]	0.10 [26]	0.08 [20]	0.09 [23]
1000 [472]	0.19 [47]	0.14 [35]	0.14 [35]	0.11 [26]	0.12 [30]
1200 [566]	0.26 [64]	0.19 [48]	0.18 [46]	0.14 [34]	0.15 [38]
1400 [661]		0.25 [63]	0.23 [58]	0.17 [43]	0.19 [47]
1600 [755]				0.21 [52]	0.22 [56]
Dust Holding Capacity @ 0.5" wg at maximum airflow (grams ASHRAE Dust)	36	37	38	39	39
Replacement Filter Part Number (2-pk)	PGAPXCAR1620-A02	PGAPXCAR1625-A02	PGAPXCAR2020-A02	PGAPXCAR2025-A02	PGAPXCAR2420-A02
Replacement Filter Dimensions Inches [cm]	17.3 x 21.9 x 2.6 [44 x 56 x 7]	17.3 x 24.9 x 2.6 [44 x 63 x 7]	21.0 x 21.9 x 2.6 [53 x 56 x 7]	21.0 x 24.9 x 2.6 [53 x 63 x 7]	24.5 x 21.9 x 2.6 [62 x 56 x 7]
Filter Media Surface Area Sq. Ft. [Sq. Meter]	44.8 [4.1]	50.8 [4.7]	54.5 [5.1]	61.2 [5.7]	63.6 [5.9]
Safety Screen Accessory Part Number	KIT-172-000	KIT-170-000	KIT-173-000	KIT-171-000	KIT-174-000
Safety Screen Dimensions Inches [cm]	17.49 x 21.40 x 1.75 [44.4 x 54.4 x 4.4]	17.49 x 24.40 x 1.75 [44.4 x 62.0 x 4.4]	21.19 x 21.40 x 1.75 [53.8 x 54.4 x 4.4]	21.19 x 24.40 x 1.75 [53.8 x 62.0 x 4.4]	24.69 x 21.40 x 1.75 [62.7 x 54.4 x 4.4]
Air Flow Sensor Part Number	Included	KIT-160-00	Included	KIT-160-00	Included
Flow Sensor Bypass	KIT-161-000	Included	KIT-161-000	Included	KIT-161-000
Weight- shipping, Lbs [kg]	30 [14]	27 [12]	26 [12]	32 [15]	29 [13]



A12335

UNIT	1625	2025	1620	2020	2420
A	27.68" / 703.0 mm		24.68" / 626.8 mm		
B	25.28" / 642.1 mm		22.28" / 565.9 mm		
C	17.49" / 444.2 mm	21.19" / 538.2 mm	17.49" / 444.2 mm	21.19" / 538.2 mm	24.69" / 627.1 mm
D	18.48" / 469.3 mm	22.18" / 563.3 mm	18.48" / 469.3 mm	22.18" / 563.3 mm	25.68" / 652.2 mm
E	7.25" / 184.2 mm				