

**EXPX
EZ Flex™
EXPANDABLE AIR FILTER
SIZES 016, 020, 024**



Product Data

EZ FLEX™



A10044

When you offer your customers the Bryant EZ Flex™ expandable filter, you are offering all of the advantages of a MERV 10 or MERV 13 high efficiency air filter - cleaner indoor air, reduced levels of dust and other airborne pollutants, and enhanced systems performance. At the same time, you'll enjoy the benefits of easy assembly, compact packaging, and unmatched replacement flexibility.

FEATURES/BENEFITS:

FAST, EZ ASSEMBLY

The EZ Flex expandable filter uses a simple, three step process that is much faster and easier than any expandable filter on the market. Other expandable filters can take up to fifteen minutes to assemble, requiring the installation of up to five combs. Because the EZ Flex expands to the correct size without using combs, it can be assembled in less than fifteen seconds. That translates to less time on the job and more money in your pocket.

SPACE-SAVING DESIGN

Cartridge filters require more space than expandable filters. The compact EZ Flex allows you to fit up to fifteen replacement filters in the same space required for three cartridge filters. More filters in less space means fewer trips back to the shop to restock your vehicles.

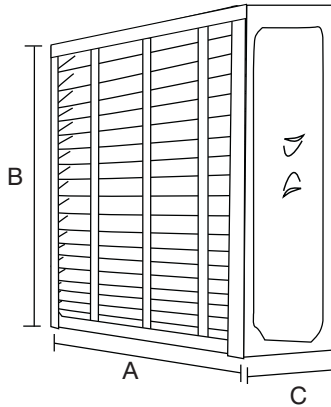
DESIGNED FOR MAXIMUM FLEXIBILITY

Bryant's EZ Flex filter was designed for replacement flexibility. With its patented design, the EZ Flex not only serves as a replacement for Bryant FILCAB and EZXCAB cabinets, it also replaces Honeywell, Trion®, and Space-Gard® cabinet filters. Because EZ Flex fits so many applications, you only have to stock one type of filter to meet the majority of your customer's needs.

EXTRA CONVENIENCE WITHOUT SACRIFICING PERFORMANCE

The EZ Flex expandable filter offers greater flexibility and ease of assembly while maintaining an efficiency rating of MERV 10 or MERV 13. EZ Flex is designed to remove airborne pollutants as small as .3 microns while maintaining one of the lowest pressure drop ratings in the industry. Bryant's EZ Flex significantly improves indoor air quality while allowing the HVAC system to perform at its best.

DIMENSIONS



A09632

UNIT SIZE	MEDIA AREA (GROSS)	DIMENSIONS IN. / MM (A x B x C) TOLERANCE: +/- 0.125" / 3.2mm UNV MODELS
016 / 316	23.14 sq ft / 2.15 sq m	24.6875 X 15.9 X 4.5 (627.06 X 403.86 X 114.3)
020 / 320	28.58 sq ft / 2.66 sq m	24.6875 X 19.9 X 4.5 (627.06 X 505.46 X 114.3)
024 / 324	34.03 sq. ft / 3.16 sq m	24.6875 X 23.9 X 4.5 (627.06 X 607.06 X 114.3)

MODEL NUMBER NOMENCLATURE

1 2 3 4 5 6 7 8 9 10 11 12
E X P X X F I L 0 0 1 6

Product Type
Media Filter

Brand
Non-brand specific

Model Type
 FIL - Replacement Filter for EXPUNV (without end caps)
 UNV - Replacement Assembly for EZXCAB (with end caps)
 Trion®, Honeywell® and SpaceGard® cabinets

Size
16
20
24

MERV
0 = MERV 10
3 = MERV 13

Factory Assigned
0 = Not used

DIRECT DIMENSIONAL REPLACEMENTS

MEDIA AIR CLEANER	NOMINAL SIZE	EXPXXUNV		
		016 / 316	020 / 320	024 / 324
Bryant EZXCAB	16 X 25	X		
	20 X 25		X	
Bryant FILCAB	16 X 25	X		
	20 X 25		X	
	24 X 25			X
SpaceGard® 2200	20 X 25		X	
Honeywell® F35 Expandapac	16 X 25	X		
	20 X 25		X	
Honeywell F100F	16 X 25	X		
	20 X 25		X	
Honeywell F150E	16 X 25	X		
	20 X 25		X	
Honeywell F200E	16 X 25	X		
	20 X 25		X	
Trion® Air Bear	16 X 25	X		
	20 X 25		X	
EXPXXFIL0016 / EXPXXFIL0316*	16 X 25	X		
EXPXXFIL0020 / EXPXXFIL0320*	20 X 25		X	
EXPXXFIL0024 / EXPXXFIL0324*	24 X 25			X

* These filters are direct replacements for EZ Flex filter assemblies.

PHYSICAL DATA

SIZE	016 / 316	020 / 320	024 / 324
Rated Air Flow	600–1600 CFM	600–2000 CFM	600–2200 CFM
MERV	10 / 13	10 / 13	10 / 13
Typical Static Pressure Drop (in. wc.) Clean @ rated airflow) ¹	.20 / .25	.19 / .23	.15 / .18
Filter Media	Synthetic		
Filter Area sq. ft. / sq. m	23.14 / 2.15	28.58 / 2.66	34.03 / 3.16
Shipping Weight (10 pack)	25 lb / 11 kg	26 lb / 12 kg	30 lb / 14 kg

1. Initial pressure drop (in. wc) at rated airflow (1400CFM for EXPXXUNV0016, EXPXXFIL0016, 1700CFM for EXPXXUNV0020, EXPXXFIL0020, and 2000CFM for EXPXXUNV0024, EXPXXFIL0024).

PLEATED MEDIA FILTER	MERV 10 EFFICIENCY ¹	MERV 13 EFFICIENCY ¹
16–in.	E1: 24.4%	E1: 38.2%
	E2: 56.3%	E2: 90.0%
	E3: 92.4%	E3: 98.9%
20–in.	E1: 26.2%	E1: 38.2%
	E2: 60.2%	E2: 90.0%
	E3: 86.0%	E3: 98.9%
24–in.	E1: 24.3%	E1: 38.2%
	E2: 52.7%	E2: 90.0%
	E3: 86.1%	E3: 98.9%

NOTES:

1. Minimum Efficiency Reporting Value (MERV) is specified by ASHRAE Standard 52.2 2007. It is based on lab tests to determine the filter's ability to trap particles. MERVs for residential filters will typically be in the range of MERV 1–13. The higher the value, the more efficient the filter. MERV 10 filters have a minimum of 85% particle collection efficiency in the .3 – .10 micron particle size range. (Human hair is approximately 50–100 microns in diameter.) MERV 13 filters have a minimum of 90% particle collection efficiency in both the 1–3 micron and 3–10 micron particle size ranges.

E1: MINIMUM Average Efficiency for particles sized between 0.3 and 1 micron.

E2: MINIMUM Average Efficiency for particles sized between 1 and 3 microns.

E3: MINIMUM Average Efficiency for particles sized between 3 and 10 microns.

REPLACEMENT FILTERS

REPLACEMENT FILTERS ORDER NUMBER			
MERV 10	EXPXXFIL0016	EXPXXFIL0020	EXPXXFIL0024
MERV 13	EXPXXFIL0316	EXPXXFIL0320	EXPXXFIL0324
Quantity per Carton	10	10	10

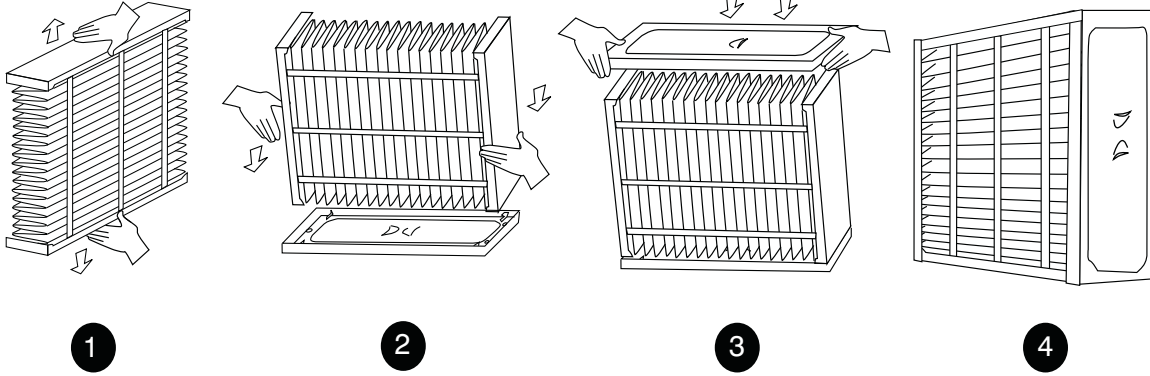
PRESSURE DROP AT VARIOUS AIRFLOWS (CLEAN)

TYPICAL PRESSURE DROP				
AIRFLOW (CFM)	FACTORY SUPPLIED FURNACE/FAN COIL FILTER	EXPXXFIL0016 / EXPXXFIL0316	EXPXXFIL0020 / EXPXXFIL0320	EXPXXFIL0024 / EXPXXFIL0324
		Resistance (inches of water) (Clean filter)		
600	0.015	0.045 / .050	0.030 / .050	0.020 / .025
800	0.020	0.075 / .090	0.050 / .070	0.030 / .040
1000	0.030	0.110 / .130	0.075 / .100	0.050 / .060
1200	0.035	0.150 / .190	0.100 / .130	0.070 / .085
1400	0.045	0.200 / 250	0.130 / .150	0.080 / .100
1600	0.055	0.250 / .310	0.160 / .200	0.120 / .120
1800	0.062	— / —	0.200 / .240	0.140 / .150
2000	0.070	— / —	0.230 / .300	0.150 / .180
2200	—	— / —	— / —	0.180 / .210

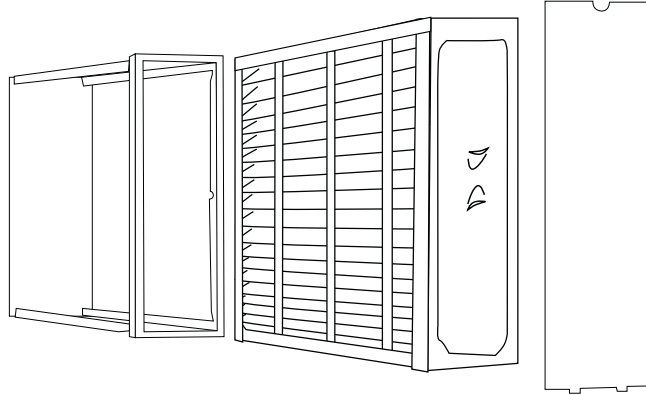
NOTE:

When applying the EZ Flex, attention must be given to the duct and system design because all these components affect system static pressure. The EZ Flex has a higher static pressure drop than the typical factory supplied furnace and/or fan coil filter (as shown above), but is designed to ensure proper system efficiency and reliability when applied to a properly designed duct system and properly sized HVAC equipment.

ASSEMBLY



A01397



A01398