

**FNCCAB and FILXXFNC
High Efficiency Fan Coil Filtration
Sizes 14, 17, 21 and 24**



Product Data



A10045C

Model FNCCAB

The FNCCAB Mechanical Air Cleaner cleans the air of dust, pollen, and smoke which helps keep homes cleaner and fresher longer.

FEATURES/BENEFITS

EASY FILTER ACCESS

Using the FNCCAB air cleaner allows homeowners easy filter access on their fan coil system. They will no longer have to go inside the fan coil to access or change the filter.

INSULATED CABINET

R4.2 insulation.

IMPROVED INDOOR FILXXFNC AIR QUALITY (IAQ)

For enhanced IAQ solutions, the FILXXFNC filters included in the FNCCAB media cabinets provide air cleaning efficiency options of MERV 8, MERV 11, or MERV 13.

TROUBLE-FREE INSTALLATION

No electricity is required.

NEARLY MAINTENANCE FREE OPERATION

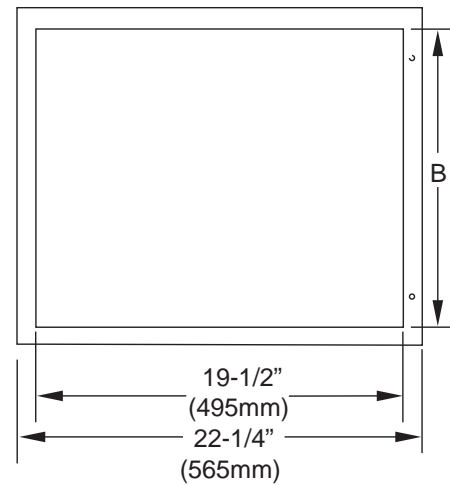
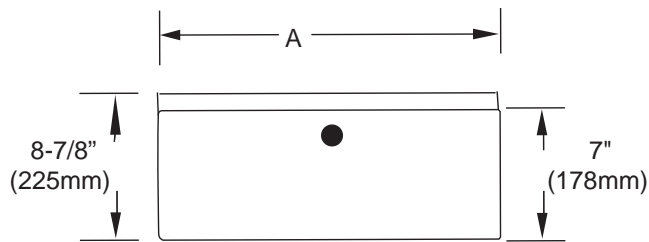
The only maintenance required is replacing the media filter cartridge when needed – before each heating or cooling season or at least twice a year, depending on conditions.

Filter Cabinet (FNCCAB)

Table 1 – Filter Cabinet (FNCCAB) Model Number Nomenclature

1	2	3	4	5	6	7	8	9	10	11	12
F	N	C	C	A	B	X	X	0	0	1	4
Product Type Fan Coil Filter Cabinet						Size 14 17 21 24					
Brand Carrier						MERV 00 - MERV 8 01 - MERV 11 03 - MERV 13					

DIMENSIONS & WEIGHTS



A09651

MODELS	FNCCABXX0014 FNCCABXX0114 FNCCABXX0314	FNCCABXX0017 FNCCABXX0117 FNCCABXX0317	FNCCABXX0021 FNCCABXX0121 FNCCABXX0321	FNCCABXX0024 FNCCABXX0124 FNCCABXX0324
Airflow (CFM) Range	600-900	600-1350	600-2000	600-2200
A	14-5/16" (364mm)	17-5/8" (448mm)	21-1/8" (537mm)	24-5/8" (625mm)
B	11" (279mm)	14-11/32" (364mm)	17-7/8" (454mm)	21-11/32" (542mm)
Shipping Weight	17 lb (7.7 kg)	17 lb-9 oz (8 kg)	19 lb-8 oz (8.8 kg)	23 lb (10.4 kg)

Fan Coil Filter (FILXXFNC)

Table 2 – Fan Coil Filter (FILXXFNC) Model Number Nomenclature

	1	2	3	4	5	6	7	8	9	10	11	12
	F	I	L	X	X	F	N	C	0	0	1	4
Product Type											Size	
Media Filter											14	
											17	
Brand											21	
Non-Branded											24	
Type											MERV	
FNC = Fan Coil Application Filter											0 - MERV 8	
											1 - MERV 11	
											3 - MERV 13	
											Factory Assigned	
											0 = Not Used	

Model FILXXFNC

This filter's Minimum Efficiency Reporting Value (MERV) is specified by ASHRAE Standard 52.2. It is based on lab tests to determine the filter's ability to trap particles. MERVs for residential filters will typically be in the range of MERV 1-13. The higher the value, the more efficient the filter. MERV 8 filters have a minimum of 70% particle collection efficiency in the 3-10 micron particle size range. (Human hair is approximately 50-100 microns in diameter.) All four sizes of filters reach a MERV 8. For enhanced filtration, MERV 11 and MERV 13 options are available.

FEATURES/BENEFITS

Large Dust Holding Capacity

These filters accommodate between 13 and 25 sq. ft. of filter media into a unique low-pressure drop design — providing some of the largest dust-holding capacities available in efficient residential air cleaners today.

The exceptionally large surface area traps dust, pollen, molds, tobacco smoke, grease, soot, bacteria, and animal dander to provide cleaner, fresher air, free of airborne pollutants and irritants regardless of season.

Exceptional System Performance

For optimum system performance use the FNCCAB & Carrier FILXXFNC high efficiency media filters designed especially for Carrier furnaces.

Table 3 – Replacement Filters

REPLACEMENT FILTERS ORDER NUMBER				
MERV 8	FILXXFNC0014	FILXXFNC0017	FILXXFNC0021	FILXXFNC0024
MERV 11	FILXXFNC0114	FILXXFNC0117	FILXXFNC0121	FILXXFNC0124
MERV 13	FILXXFNC0314	FILXXFNC0317	FILXXFNC0321	FILXXFNC0324
Quantity per Carton	2	2	2	2

Table 4 – Replacement Filter Dimensions

PRODUCT NUMBER	MEDIA AREA (GROSS)	DIMENSIONS In. (mm) tolerance ± 0.125" (3mm)
FILXXFNC0014 / FILXXFNC0114 / FILXXFNC0314	≥13.05 sq. ft. (1.2 sq. m)	19.8125 x 12.175 x 4.3125 (503.2 x 309.2 x 109.5)
FILXXFNC0017 / FILXXFNC0117 / FILXXFNC0317	≥17.8 sq. ft. (1.7 sq. m)	19.8125 x 15.625 x 4.3125 (503.2 x 396.8 x 109.5)
FILXXFNC0021 / FILXXFNC0121 / FILXXFNC0321	≥20.17 sq. ft. (1.9 sq. m)	19.8125 x 19.125 x 4.3125 (503.2 x 485.7 x 109.5)
FILXXFNC0024 / FILXXFNC0124 / FILXXFNC0324	≥24.9 sq. ft. (2.3 sq. m)	19.8125 x 22.625 x 4.3125 (503.2 x 574.6 x 109.5)

Fan Coil Filter (FILXXFNC) - cont.

Table 5 – Fan Coil Filter (FILXXFNC) Physical Data

SIZE	014 / 114 / 314	017 / 117 / 317	021 / 121 / 321	024 / 124 / 324
Rated Airflow	1000 / 1000 / 900	1400 / 1400 / 1100	2000 / 1800 / 1500	2200 / 2000 / 1600
MERV	8 / 11 / 13	8 / 11 / 13	8 / 11 / 13	8 / 11 / 13
Typical Static Pressure Drop (in. wc.) (Clean @rated airflow)	.25 / .26 / .32	.25 / .27 / .31	.28 / .33 / .30	.31 / .30 / .30
Filter Media	Polyolefin / Polypropylene polyethylene			
Shipping Weight (2 pack)	5-lb. (2.3 kg.)	6-lb. (2.7 kg.)	6.5-lb (2.9 kg.)	7-lb (3.2 kg.)

Table 6 – Minimum Filter Efficiency

	E1	E2	E3	MERV
FNCCABXX00** All Sizes	–	≥20%	≥70%	8
FNCCABXX01** All Sizes	≥20%	≥65%	≥85%	11
FNCCABXX03** All Sizes	≥50%	≥85%	≥90%	13

NOTES:

Minimum Efficiency Reporting Value (MERV) per ASHRAE 52.2 (Exceeds ASHRAE 62.2 requirement for manufacturers to provide a filter with a MERV rating of at least 6.)

E1: MINIMUM Average Efficiency for particles sized between 0.3 and 1 micron.

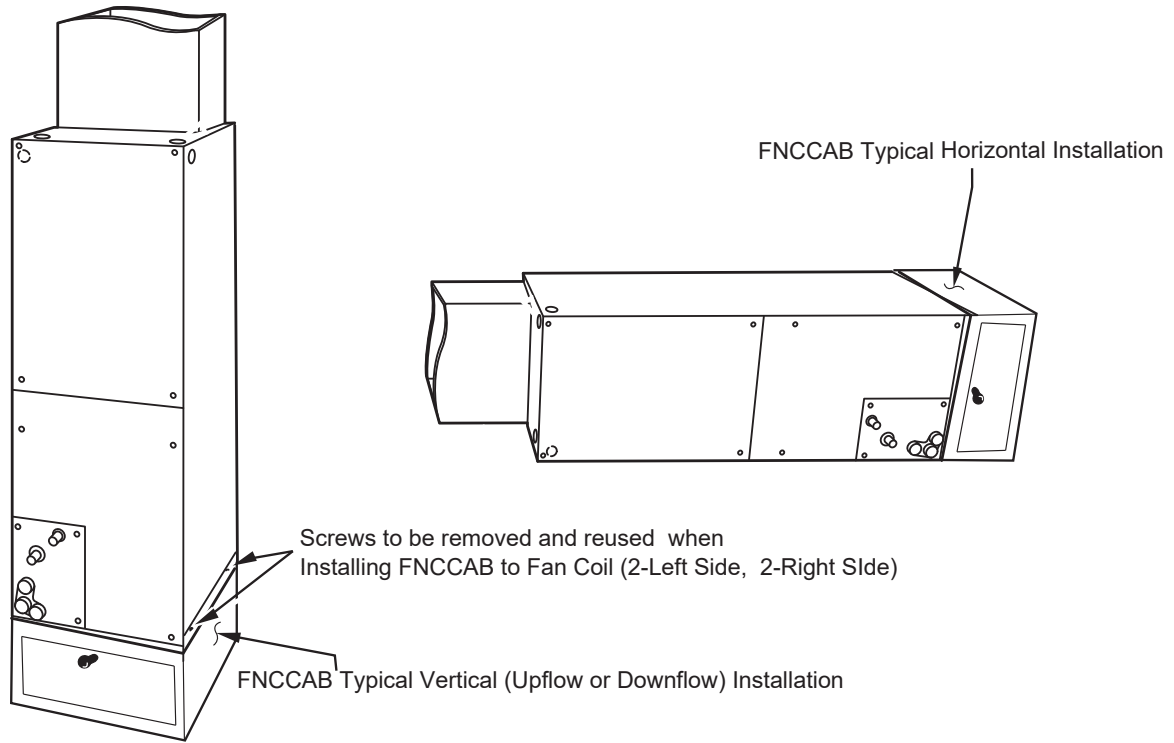
E2: MINIMUM Average Efficiency for particles sized between 1 and 3 microns.

E3: MINIMUM Average Efficiency for particles sized between 3 and 10 microns.

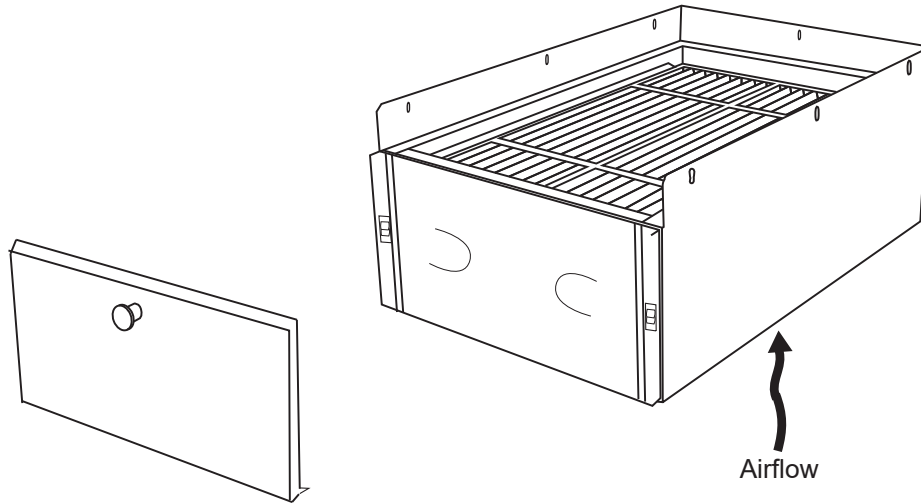
Table 7 – Pressure Drop at Various Airflows (clean)

TYPICAL PRESSURE DROP												
Airflow Range (CFM)	Resistance (in. w.c.)											
	Filter Size / MERV											
	0014 MERV8	0114 MERV11	0314 MERV13	0017 MERV8	0117 MERV11	0317 MERV13	0021 MERV8	0121 MERV11	0321 MERV13	0024 MERV8	0124 MERV11	0324 MERV13
600	0.10	0.11	0.16	0.06	0.07	0.11	0.04	0.05	0.07	0.04	0.04	0.06
800	0.17	0.18	0.26	0.10	0.10	0.18	0.07	0.08	0.11	0.06	0.06	0.09
1000	0.25	0.26	0.38	0.14	0.15	0.26	0.10	0.12	0.15	0.08	0.09	0.13
1200				0.19	0.20	0.36	0.14	0.16	0.21	0.11	0.12	0.18
1400				0.25	0.27	0.48	0.18	0.21	0.27	0.14	0.16	0.24
1600							0.23	0.27	0.34	0.108	0.20	0.30
1800							0.28	0.33	0.42	0.22	0.25	0.37
2000										0.26	0.30	0.44
2200										0.31	0.36	0.53

TYPICAL INSTALLATIONS



C04029



C04033A