

Rooftop Units Gas Heating/Electric Cooling Select 7.5-10, 12.5, and 15 Ton Flue Discharge Deflector Accessory

Installation Instructions

Part No. CRFLUEDS007A00

IMPORTANT: Read these instructions completely before attempting to install this accessory.

PACKAGE CONTENTS

QTY	CONTENTS
1	Flue Extension
1	Short Flue Extension Support Bracket
2	Medium Support Bracket
2	Long Support Bracket
1	Flue Stack
9	No. 10 Self-Tapping Screw
20	No. 10 Sheet Metal Screw

MODEL USAGE

ACCESSORY PART NUMBER	USAGE
CRFLUEDS007A00	48FC 16
	48GC 14
	48HC 14
	48LC 08-12
	48TC 16
	582K 16
	581K 14
	581J 14
	580J 16
	RGV 180
	RGW 150
	RGH 150
	RGS 180


NOTE: Not all unit sizes may be available at this time.

SAFETY CONSIDERATIONS

Installation of this accessory can be hazardous due to system pressures, electrical components, and equipment location (such as a roof or elevated structure). Only trained, qualified installers and service technicians should install, start-up, and service this equipment.

When installing this accessory, observe precautions in the literature, labels attached to the equipment, and any other safety precautions that apply:

- Follow all safety codes
- Wear safety glasses and work gloves
- Use care in handling and installing this accessory

It is important to recognize safety information. This is the safety-alert symbol: . When you see this symbol on the unit and in instructions or manuals, be alert to the potential for personal injury.

Understand the signal words DANGER, WARNING, CAUTION, and NOTE. These words are used with the safety-alert symbol. DANGER identifies the most serious hazards which **will** result in severe personal injury or death. WARNING signifies hazards which **could** result in personal injury or death. CAUTION is used to identify unsafe practices, which **may** result in minor personal injury or product and property damage. NOTE is used to highlight suggestions which **will** result in enhanced installation, reliability, or operation.

 **WARNING**

ELECTRICAL SHOCK HAZARD

Failure to follow this warning could result in personal injury and/or death.

Before beginning any modification, be certain that the main-line electrical disconnect switch is in the OFF position. Close the main gas supply shutoff valve. Tag disconnect switch and gas valve with suitable warning labels.

 **CAUTION**

PERSONAL INJURY HAZARD

Failure to follow this caution may result in personal injury.

Sheet metal parts may have sharp edges or burrs. Use care and wear appropriate protective clothing, safety glasses and gloves when handling parts and servicing air conditioning equipment.

Remove and clean screen periodically to ensure proper airflow and heating efficiency. Inspect full length of flue stack for any blockages which could impair flue performance. Inspect every fall, and periodically during heating season.

INSTALLATION

1. Pre-assemble flue extension and short flue extension support bracket with 4 sheet metal screws provided before mounting on unit.

NOTE: Where flue extension and short flue extension support bracket connect there are 2 screws on the underside. (See Fig. 1.)

2. Remove existing flue hood from unit. Save screws.
3. Remove first screw from bottom left of center post on unit. (See Fig. 2.) Save screw for later use.
4. Position flue extension over flue opening. Align the two open slots on the top and bottom flange of flue extension with holes from previously removed screws in Step 2. Using screws removed in Step 2, secure flue extension through open slot of flue extension and into holes where screws were removed in Step 2.
5. Secure short flue extension support bracket to center post with the screw removed from center post in Step 3.
6. Secure flue extension through clearance holes in flange with 8 self-tapping screws provided. These screws are in addition to the screws secured in Step 4. (See Fig. 2.)
7. Secure short flue extension support bracket to center post with 1 self-tapping screw provided. This screw is in addition to the screw secured in Step 5. (See Fig. 2.)
8. From top of center post, remove second and fourth screws. Save screws to use in next step. (See Fig. 2.)
9. After screws are removed (in previous step) attach the 2 medium supports.

NOTE: Be sure the drip edge (bent edge) is facing down. (See Fig. 2.)

10. Position flue stack over flue extension and medium support brackets. Secure flue stack to medium support brackets and flue extension with 4 sheet metal screws provided. (See Fig. 3.)
11. Secure bottom of flue stack to flue extension with 8 sheet metal screws provided. (See Fig. 3.)
12. Remove 4 screws securing 2 posts to top cover. Save screws. (See Fig. 3.)
13. Attach the 2 long support brackets to top cover with screws saved in previous step.

NOTE: The slot in the long support brackets aligns with the two screw holes in top cover.

14. Attach the other end of the 2 long support brackets to the flue stack using 4 sheet metal screws provided. (See Fig. 4.)

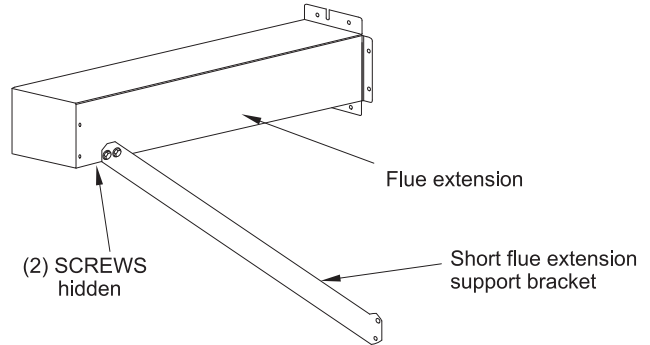


Fig. 1 — Flue Extension and Short Flue Extension Support Bracket After Pre-Assembly

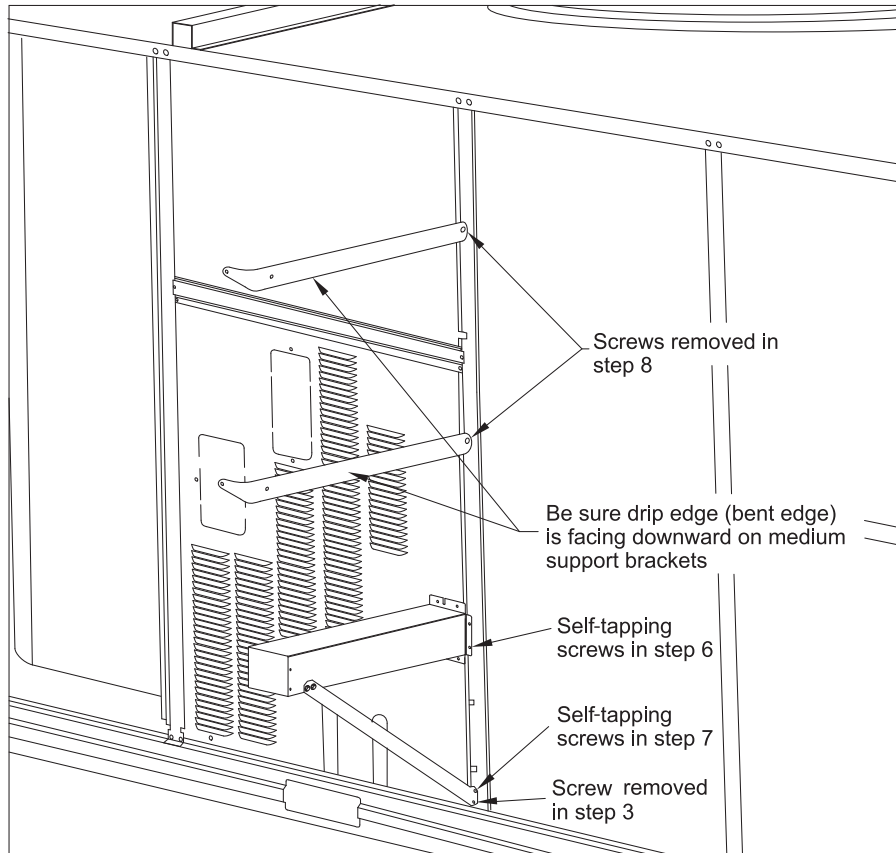
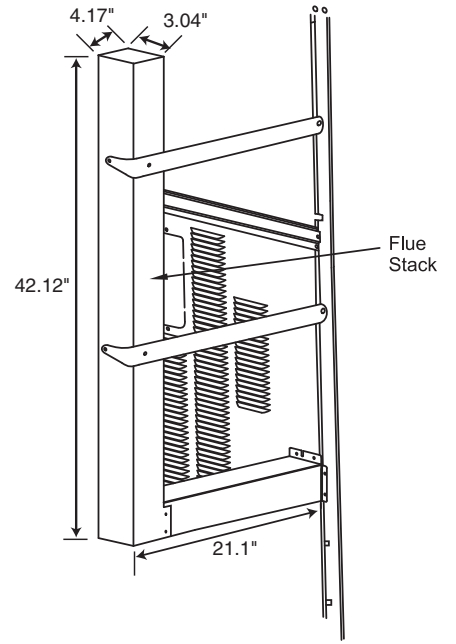
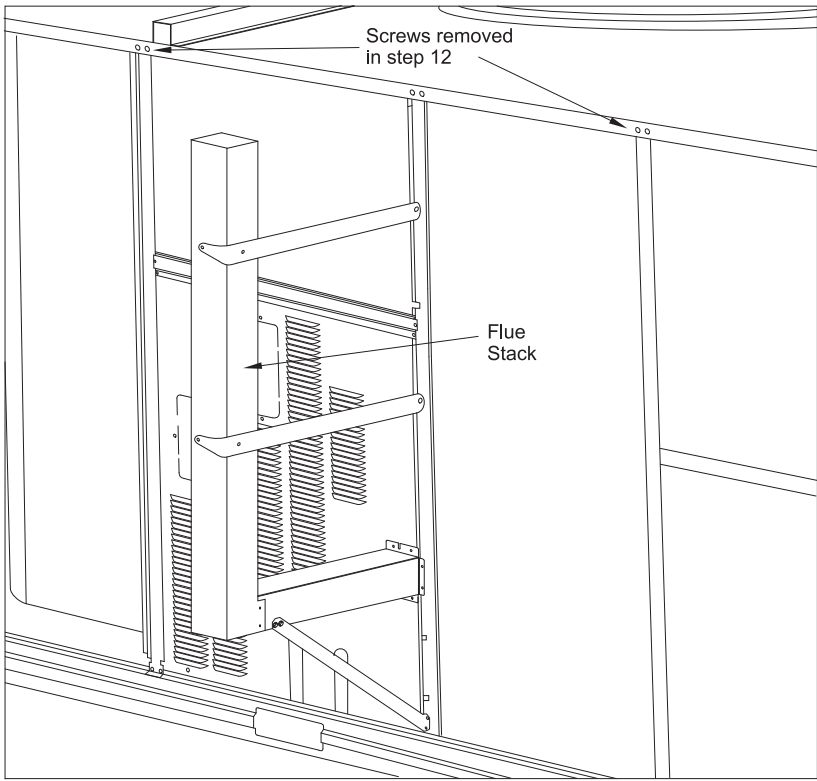


Fig. 2 — Flue Extension and Support Brackets Attached to Unit



DETAIL OF FLUE STACK WITH DIMENSIONS

Fig. 3 — Flue Stack Attached

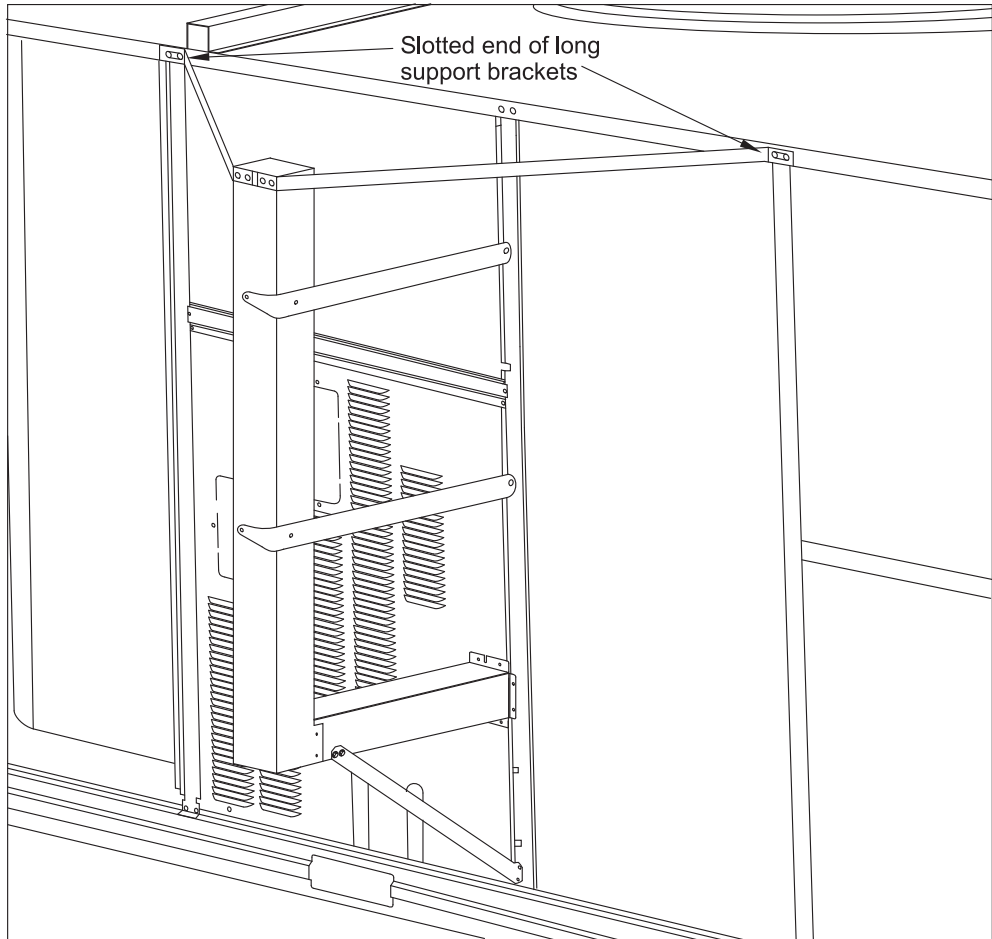


Fig. 4 — Flue Discharge Deflector Kit Completely Installed

