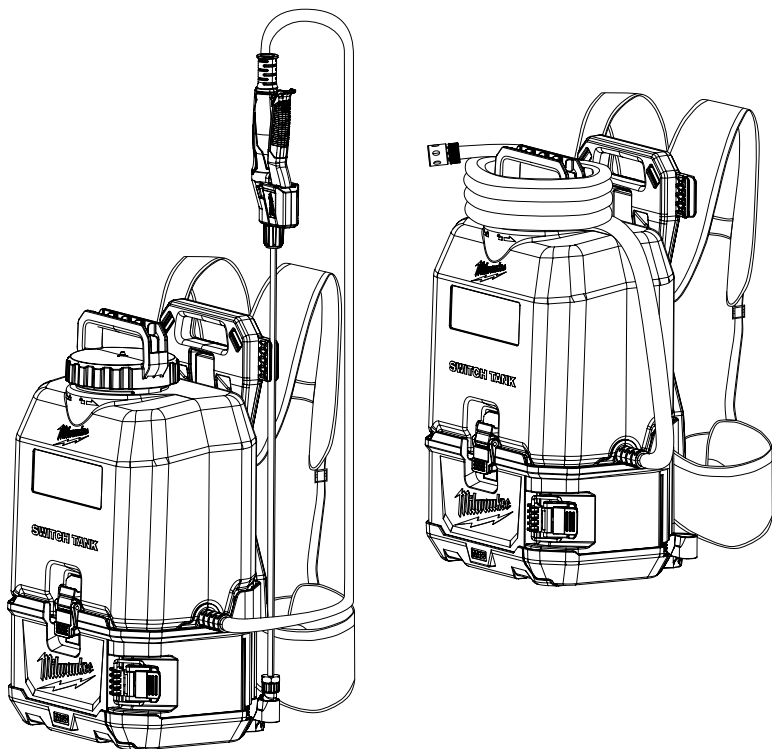




OPERATOR'S MANUAL
MANUEL de L'UTILISATEUR
MANUAL del OPERADOR



Cat. No. / No de cat.
2820-20, 49-16-28PS, 49-16-28CS, 49-16-28WS

**M18™ SWITCH TANK™ POWERED BASE, SPRAYER TANK ASSEMBLY,
CONCRETE SPRAYER TANK ASSEMBLY, WATER SUPPLY TANK ASSEMBLY
BASE ÉLECTRIQUE SWITCH TANK™ M18™, ENSEMBLE RÉSERVOIR-
PULVÉRISATEUR, ENSEMBLE RÉSERVOIR-PULVÉRISATEUR POUR
BÉTONNAGE, ENSEMBLE RÉSERVOIR-PULVÉRISATEUR POUR VERSAGE
D'EAU**

**BASE MOTORIZADA SWITCH TANK™ M18™, CONJUNTO DE TANQUE
ROCIADOR, CONJUNTO DE TANQUE ROCIADOR DE CONCRETO,
CONJUNTO DE TANQUE DE SUMINISTRO DE AGUA**



WARNING To reduce the risk of injury, user must read and understand operator's manual.

AVERTISSEMENT Afin de réduire le risque de blessures, l'utilisateur doit lire et bien comprendre le manuel.

ADVERTENCIA Para reducir el riesgo de lesiones, el usuario debe leer y entender el manual.

IMPORTANT SAFETY INSTRUCTIONS

⚠WARNING Read all safety warnings, instructions, illustrations and specifications provided with this power tool. Failure to follow all instructions listed below may result in electric shock, fire and/or serious injury. **Save all warnings and instructions for future reference.** The term "power tool" in the warnings refers to your mains-operated (corded) power tool or battery-operated (cordless) power tool.

WORK AREA SAFETY

- **Keep work area clean and well lit.** Cluttered or dark areas invite accidents.
- **Do not operate power tools in explosive atmospheres, such as in the presence of flammable liquids, gases or dust.** Power tools create sparks which may ignite the dust or fumes.
- **Keep children and bystanders away while operating a power tool.** Distractions can cause you to lose control.

ELECTRICAL SAFETY

- **Avoid body contact with earthed or grounded surfaces, such as pipes, radiators, ranges and refrigerators.** There is an increased risk of electric shock if your body is earthed or grounded.
- **Do not expose power tools to rain or wet conditions.** Water entering a power tool will increase the risk of electric shock.
- **Outdoor use. Do not expose to rain; store indoors.**

PERSONAL SAFETY

- **Stay alert, watch what you are doing and use common sense when operating a power tool. Do not use a power tool while you are tired or under the influence of drugs, alcohol or medication.** A moment of inattention while operating power tools may result in serious personal injury.
- **Use personal protective equipment. Always wear eye protection.** Protective equipment such as a dust mask, non-skid safety shoes, hard hat or hearing protection used for appropriate conditions will reduce personal injuries.
- **Prevent unintentional starting. Ensure the switch is in the off-position before connecting to power source and/or battery pack, picking up or carrying the tool.** Carrying power tools with your finger on the switch or energizing power tools that have the switch on invites accidents.
- **Do not overreach. Keep proper footing and balance at all times.** This enables better control of the power tool in unexpected situations.
- **Dress properly. Do not wear loose clothing or jewelry. Keep your hair and clothing away from moving parts.** Loose clothes, jewelry or long hair can be caught in moving parts.
- **Do not let familiarity gained from frequent use of tools allow you to become complacent and ignore tool safety principles.** A careless action can cause severe injury within a fraction of a second.

POWER TOOL USE AND CARE

- **Do not force the power tool. Use the correct power tool for your application.** The correct power tool will do the job better and safer at the rate for which it was designed.
- **Do not use the power tool if the switch does not turn it on and off.** Any power tool that cannot be controlled with the switch is dangerous and must be repaired.
- **Disconnect the plug from the power source and/or remove the battery pack, if detachable, from the power tool before making any adjustments, changing accessories, or storing power tools.** Such preventive safety measures reduce the risk of starting the power tool accidentally.
- **Store idle power tools out of the reach of children and do not allow persons unfamiliar with the power tool or these instructions to operate the power tool.** Power tools are dangerous in the hands of untrained users.
- **Maintain power tools and accessories. Check for misalignment or binding of moving parts, breakage of parts and any other condition that may affect the power tool's operation.**
- **Use the power tool, accessories and tool bits etc. in accordance with these instructions, taking into account the working conditions and the work to be performed.** Use of the power tool for operations different from those intended could result in a hazardous situation.
- **Keep handles and grasping surfaces dry, clean and free from oil and grease.** Slippery handles and grasping surfaces do not allow for safe handling and control of the tool in unexpected situations.

BATTERY TOOL USE AND CARE

- **Recharge only with the charger specified by the manufacturer.** A charger that is suitable for one type of battery pack may create a risk of fire when used with another battery pack.
- **Use power tools only with specifically designated battery packs.** Use of any other battery packs may create a risk of injury and fire.
- **When battery pack is not in use, keep it away from other metal objects, like paper clips, coins, keys, nails, screws or other small metal objects, that can make a connection from one terminal to another.** Shorting the battery terminals together may cause burns or a fire.
- **Under abusive conditions, liquid may be ejected from the battery; avoid contact. If contact accidentally occurs, flush with water. If liquid contacts eyes, additionally seek medical help.** Liquid ejected from the battery may cause irritation or burns.
- **Do not use a battery pack or tool that is damaged or modified.** Damaged or modified batteries may exhibit unpredictable behavior resulting in fire, explosion or risk of injury.
- **Do not expose a battery pack or tool to fire or excessive temperature.** Exposure to fire or temperature above 265°F (130°C) may cause explosion.
- **Follow all charging instructions and do not charge the battery pack or tool outside the temperature range specified in the instructions.** Charging improperly or at temperatures outside the specified range may damage the battery and increase the risk of fire.

SERVICE

- Have your power tool serviced by a qualified repair person using only identical replacement parts. This will ensure that the safety of the power tool is maintained.
- Never service damaged battery packs. Service of battery packs should only be performed by the manufacturer or authorized service providers.

SPECIFIC SAFETY RULES FOR BACKPACK SPRAYER

- AWARNING** Risk of fire or explosion. Do not spray flammable liquids such as gasoline, solvents, or gas producing chemicals. Do not use tool around spark, flame, or smoke. Chemical may ignite.
- Use the correct tank for your application. These products are suitable for pesticide applications (such as insecticides, fungicides, or herbicides), fertilizers, concrete applications (such as non-flammable sealants, curing compounds and form oil), and water supply applications, when used in accordance with these instructions and those supplied with the chemicals.
- Do not use bleach, caustic (alkali) self-heating or corrosive (acid) liquids in this sprayer. Do not pour hot or boiling liquids into the tank. These can corrode metal parts or weaken the tank and hose.
- To reduce the risk of fire, personal injury, and product damage due to a short circuit, never immerse your tool, battery pack or charger in fluid or allow a fluid to flow inside them. Do not place or store tool where it can fall or be pulled into a tub or sink. Corrosive or conductive fluids, such as seawater, certain industrial chemicals, and bleach or bleach containing products, etc., can cause a short circuit.
- Electric shock hazard. Never spray toward electrical outlets.
- Spray area must be well ventilated to avoid hazardous fumes build-up.
- Avoid spraying on windy days. Spray can be blown onto people, plants, or objects that should not be sprayed.
- Do not store chemicals in the tank. Chemicals can degrade seals and hoses. Drain and clean after each use.
- Remove gloves before handling battery packs. Chemicals are harmful to plastics.
- Maintain your power tool. Thoroughly inspect inside and outside and examine all components before each use. Check for cracked and deteriorated hoses, leaks, clogged nozzles, and missing or damaged parts. If damaged, have the power tool repaired before use. Many accidents are caused by poorly maintained power tools.
- Always unplug the charger and remove the battery pack from the charger or tool before performing any maintenance, storing, or draining the tool. Never disassemble the tool, battery pack or charger. Contact a MILWAUKEE service facility for ALL repairs.
- Do not eat or smoke while handling or operating the tool. After use, wash with hot, soapy water to help reduce the risk of health hazards due to exposure to chemicals.

- Always use common sense and be cautious when using tools. It is not possible to anticipate every situation that could result in a dangerous outcome. Do not use this tool if you do not understand these operating instructions or you feel the work is beyond your capability; contact Milwaukee Tool or a trained professional for additional information or training.
- Do not use the battery compartment for storage.
- Maintain labels and nameplates. These carry important information. If unreadable or missing, contact a MILWAUKEE service facility for a free replacement.

- AWARNING** Some dust created by power sanding, sawing, grinding, drilling, and other construction activities contains chemicals known to cause cancer, birth defects or other reproductive harm. Some examples of these chemicals are:
 - lead from lead-based paint
 - crystalline silica from bricks and cement and other masonry products, and
 - arsenic and chromium from chemically-treated lumber.

Your risk from these exposures varies, depending on how often you do this type of work. To reduce your exposure to these chemicals: work in a well-ventilated area, and work with approved safety equipment, such as those dust masks that are specially designed to filter out microscopic particles.

SAVE THESE INSTRUCTIONS

SYMBOLGY



Volts



Direct Current



Read operator's manual



Wear personal protective equipment (PPE) according to the chemical manufacturer's instructions.



Wear eye protection



Wear gloves



Do not spray flammable liquids

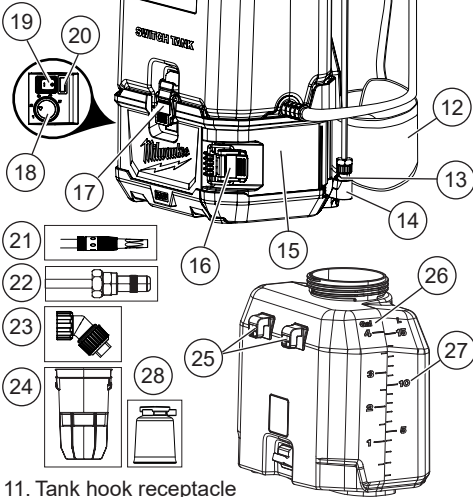


UL Listing for Canada and U.S.

FUNCTIONAL DESCRIPTION

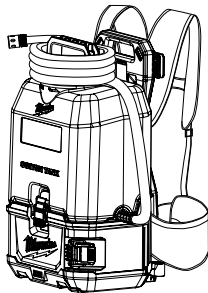
1. Tank
2. Tank cap
3. Wand storage location
4. Carry handle
5. Spray wand
6. Trigger lock-on ^
7. Trigger handle ^
8. Trigger lock-off ^
9. Shoulder straps
10. Hose

Cat. No.
49-16-28PS
49-16-28CS



11. Tank hook receptacle
12. Waist strap
13. Adjustable nozzle ^
14. Nozzle holder
15. Battery compartment
16. Battery compartment latch
17. Tank latch
18. Flow rate dial
19. On/Off switch
20. On/Off light
21. Water nozzle *
22. Adjustable nozzle ^
23. Fan nozzle ^
24. Strainer
25. Tank hooks
26. Gallon markings
27. Liter markings
28. Measuring cup ▣

Cat. No.
49-16-28WS



* 49-16-28WS only

^ 49-16-28PS and 49-16-28CS only ▣ 49-16-28PS only

SPECIFICATIONS

Cat. No.	2820-20
Volts	18 DC
Battery Type	M18™
Charger Type	M18™
Tank Capacity	4 Gal. (15 L)
Flow Rate	0.10 to 1.13 GPM
Full Weight	55 lbs
Recommended Ambient Operating Temperature	32°F to 125°F
Tank Only (Pesticide)	49-16-28PS
Tank Only (Concrete)	49-16-28CS
Tank Only (Water)	49-16-28WS

ASSEMBLY

⚠ WARNING Recharge only with the charger specified for the battery. For specific charging instructions, read the operator's manual supplied with your charger and battery.

Removing/Inserting the Battery

To remove the battery, push in the release buttons and pull the battery pack away from the tool.

⚠ WARNING Always remove battery pack before changing or removing accessories.

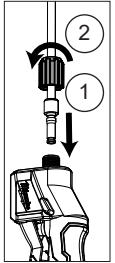
To insert the battery, slide the pack into the body of the tool. Make sure it latches securely into place.

⚠ WARNING Only use accessories specifically recommended for this tool. Others may be hazardous.

Connecting the Spray Wand to the Trigger Handle

(Cat. No. 49-16-28PS, 49-16-28CS)

1. Insert the spray wand into the trigger handle (1) until firmly seated.
2. Slide the nut onto the threaded coupling and hand tighten securely (2).
3. Pull on the spray wand to be certain it is properly secured.
4. Place the assembled trigger handle and wand into one of the wand storage locations.



Connecting the Nozzles

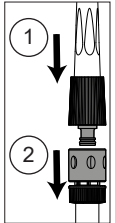
(Cat. No. 49-16-28PS, 49-16-28CS)

Select and screw on nozzle by job type. When using the adjustable nozzle, adjust spray pattern as desired by tightening/loosening the nozzle.

Connecting Water Supply or Nozzle

(Cat. No. 49-16-28WS)

To attach water supply hose to the tool or nozzle, push the quick connect fitting and tool/nozzle together (1). Pull on the connection to be certain it is properly secured. To remove, pull the collar back to release (2). When using the nozzle, adjust spray pattern as desired by tightening/loosening the nozzle.



Filling the Tank

WARNING Before filling the tank, remove the tank from the base.

Ensure battery door is closed and latched whenever chemicals are present.

Mix chemicals per manufacturer's instructions. Failure to follow instructions may cause harsh chemicals to injure user or damage tool.

A removable strainer prevents debris that can clog or damage the pump from entering the tank. Label tank contents accordingly during each use. Only put recommended liquids in tank. Only use water in water supply tank.

1. Ensure the battery door is closed securely.

2. Remove the tank from the base and set on a level surface away from the base to prevent exposing the base to harsh chemicals.

3. Unscrew and remove the tank cap; ensure strainer is in place.

4. Fill the tank (up to 4 gallons; do not overfill). Use the gallon markings on the side of the tank as a guide.

5. Reinstall the tank cap.

6. Reinstall the tank.



Installing the Tank

1. Ensure the battery door is closed securely.

2. Slide tank hooks into base and seat tank into tank reservoir in the base.

3. Secure tank to base with front and rear tank latches; ensuring the tank is level, firmly seated, and all seals are aligned.

WARNING When filled, the sprayer will be heavy, take care when putting on the backpack to avoid strain.

Putting on the Backpack

1. Ensure tank is securely attached to base with front and rear tank latches, tank cap is installed, and battery door is latched.

2. Pick up the backpack by one of the shoulder straps, slide your arms through each shoulder strap.

3. With the sprayer on your back, tighten the shoulder and waist straps until they fit snugly and securely, high on your back. Connect chest strap.

4. Be sure the shoulder, chest, and waist straps are tight but comfortable; if they are too loose, the sprayer may slide around on your back, making it uncomfortable to wear.

5. Be aware tank contents may shift during use and movement, such as twisting or bending over.

OPERATION

Adjusting the Flow Rate

Select the desired flow rate from Low (1) to High (5), depending on the job and the chemical manufacturer's instructions.

Flow Rate	2820-20PS (Stream Nozzle)	2820-20CS (Stream Nozzle)	2820-20WS (Open Flow)
1	0.10 GPM	0.14 GPM	0.16 GPM
2	0.17 GPM	0.21 GPM	0.22 GPM
3	0.24 GPM	0.33 GPM	0.35 GPM
4	0.35 GPM	0.44 GPM	0.53 GPM
5	0.51 GPM	0.82 GPM	1.13 GPM

WARNING To reduce the risk of injury, always wear personal protective equipment (PPE) according to the chemical manufacturer's instructions. Always wear eye protection. Always ensure battery compartment latch is securely closed before use.

Ensure trigger handle lock-on is not engaged before turning ON tool.

Turning the Sprayer ON/OFF

1. Install the battery pack. Close and latch the battery compartment.

2. To turn the sprayer ON, press the ON/OFF switch to "I". The Power LED will light green.

3. To start the flow of liquid at the spray wand, pull the trigger.

4. To stop the flow of liquid at the spray wand, release the trigger.

5. To turn the sprayer OFF, press the ON/OFF switch to "O".

NOTE: Be aware some spray material may remain inside the spray wand and drip out. To drain, turn off the tool, then pull the trigger and point the tool down until dripping stops.

Trigger Lock-On

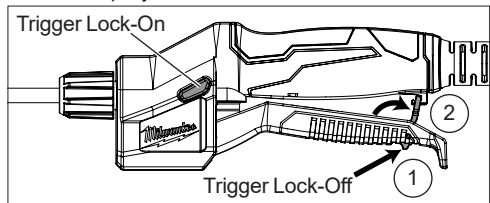
(Cat. No. 49-16-28PS, 49-16-28CS)

Use trigger lock-on when spraying for an extended period of time or when covering a large area.

1. To lock-on, pull the trigger and push in the lock-on button.

2. To release the lock-on, pull and release the trigger.

NOTE: Ensure the trigger is not locked on before turning the sprayer off to avoid accidental spraying when the sprayer is restarted.



Trigger Lock-Off

(Cat. No. 49-16-28PS, 49-16-28CS)

To avoid accidental spraying, lock-off the trigger.

1. Press the lock-off toggle at the end of the trigger (1).

2. Hook the lock-off tab onto the hook under the trigger (2).

3. To release, push the tab back into the trigger.

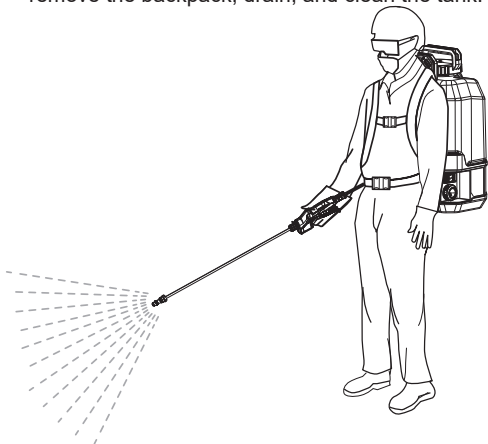
APPLICATIONS

WARNING Before using any chemicals and/or solutions, read and follow all original manufacturer instructions. Read all Safety Data Sheets (SDS) and container labels provided with the chemical. Chemicals can cause serious bodily injury, property damage, and/or damage the tool. Wear personal protective equipment (PPE) according to the chemical manufacturer's instructions. Always wear eye protection.

Spraying

(Cat. No. 49-16-28PS, 49-16-28CS)

1. Fill the tank and then install onto the base.
2. Put on the backpack and properly adjust the straps.
3. Turn on the tool.
4. Pull the trigger and begin sweeping the nozzle from side to side, coating the desired surface evenly in accordance with chemical manufacturer's instructions.
5. If desired, lock-on the trigger for extended use.
6. When done, release the trigger, turn off the tool, remove the backpack, drain, and clean the tank.



Supplying Water

(Cat. No. 49-16-28WS)

1. Fill the tank with clean water and then install onto the base.
2. Place tool near the job within range of water supply hose.
3. Attach water supply hose with the quick connect fitting. Pull on the connection to be certain it is properly secured.
3. To start water flow, turn on the tool.
4. Monitor water level in tank. When empty, turn off tool, disconnect the hose, and refill tank. Don't run tool when tank is empty.
5. When done, turn off the tool, disconnect hose, drain, and clean the tank.

MAINTENANCE

Maintaining Tool

Keep your tool, battery pack and charger in good repair by adopting a regular maintenance program. Inspect your tool for issues such as undue noise, misalignment or binding of moving parts, breakage of parts, or any other condition that may affect the tool operation. Return the tool, battery pack, and charger to a MILWAUKEE service facility for repair. After six months to one year, depending on use, return the tool, battery pack and charger to a MILWAUKEE service facility for inspection.

If the tool does not start or operate at full power with a fully charged battery pack, clean the contacts on the battery pack. If the tool still does not work properly, return the tool, charger and battery pack, to a MILWAUKEE service facility for repairs.

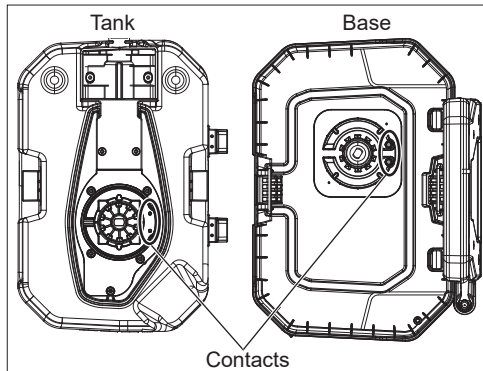
WARNING To reduce the risk of personal injury and damage, never immerse your tool, battery pack or charger in liquid or allow a liquid to flow inside them. Do not use bleach as a cleaning agent.

Cleaning

Clean dust and debris from vents. Keep handles clean, dry and free of oil or grease. Use only mild soap and a damp cloth to clean, since certain cleaning agents and solvents are harmful to plastics and other insulated parts. Some of these include gasoline, turpentine, lacquer thinner, paint thinner, chlorinated cleaning solvents, ammonia and household detergents containing ammonia. Never use flammable or combustible solvents around tools.

Cleaning Electrical Contacts

Keep electrical contact posts between bottom of tank and base clean. **WARNING!** Remove battery pack from tool before cleaning electrical contacts. Clean contacts with a dry, clean cloth only.



WARNING To reduce the risk of injury, always wear personal protective equipment (PPE) according to the chemical manufacturer's instructions. Always wear eye protection.

Draining and Cleaning the Tank, Hose, and Spray Wand

If there is any liquid left in the tank after spraying, the tank should be drained before cleaning. Do not store chemicals in the tank. Tank must be cleaned before using another liquid. Do not mix liquids. Follow the chemical manufacturer's instructions for proper cleaning, storage and/or disposal of excess liquid.

To Drain:

1. Ensure the battery door is closed securely.
2. Remove the tank from the base.
3. Empty the tank into a suitable container through the fill area. **WARNING!** Always wear personal protective equipment (PPE) according to the chemical manufacturer's instructions. Always wear eye protection.

To Clean:

1. Ensure the battery door is closed securely.
2. Remove the tank from the base and set on a level surface away from the base to prevent exposing the base to harsh chemicals.
3. Remove the tank and fill it about one-third full with clean water. A small amount of mild household detergent may be added. Replace the cap and gently slosh the water around the tank.
4. Install the tank and spray the water until the tank has been emptied. Make sure to direct the spray toward an area that will not be damaged by residue chemicals in the tank.
5. Repeat the procedure with clean water until the tank is thoroughly clean. Wash outside of nozzles and dry with cloth.
6. Wipe the outside of the tank with a clean, dry cloth.
7. Allow all pieces to completely dry before reinstalling parts and storing the unit. Always reinsert strainer before replacing tank cap.

Storage

Store indoors. Store spray wand securely in wand storage area. Store the sprayer in a secure, well-ventilated indoor space with the tank empty.

Repairs

For repairs, return the tool, battery pack and charger to the nearest authorized service center.

ACCESSORIES

WARNING Use only recommended accessories. Others may be hazardous.

For a complete listing of accessories, go online to www.milwaukeeetool.com or contact a distributor.

WIRELESS COMMUNICATION

For products provided with wireless communication features, including ONE-KEY™:

Pursuant to part 15.21 of the FCC Rules, do not modify this product. Modification could void your authority to operate the product. This device complies with part 15 of the FCC Rules and ISED-Canada's license exempt RSS standards. Operation is subject to the following two conditions: 1) This device may not cause harmful interference, and 2) This device must accept any interference received, including interference that may cause undesired operation.

SERVICE - UNITED STATES

1-800-SAWDUST (1.800.729.3878)

Monday-Friday, 7:00 AM - 6:30 PM CST

or visit www.milwaukeeetool.com

Contact Corporate After Sales Service Technical Support with technical, service/repair, or warranty questions.

Email: metproductsupport@milwaukeeetool.com

Become a Heavy Duty Club Member at www.milwaukeeetool.com to receive important notifications regarding your tool purchases.

SERVICE - CANADA

Milwaukee Tool (Canada) Ltd

1.800.268.4015

Monday-Friday, 7:00 AM - 4:30 PM CST

or visit www.milwaukeeetool.ca

LIMITED WARRANTY USA & CANADA

Every MILWAUKEE Outdoor Power Equipment Product* (see exceptions below) is warranted to the original purchaser only to be free from defects in material and workmanship. Subject to certain exceptions, MILWAUKEE will repair or replace any part on an outdoor power equipment product which, after examination, is determined by MILWAUKEE to be defective in material or workmanship for a period of three (3) years** after the date of purchase unless otherwise noted. Return of the outdoor power equipment to a MILWAUKEE factory Service Center location or participating MILWAUKEE Authorized Service Station, freight prepaid and insured, is required. A copy of the proof of purchase should be included with the return product. This warranty does not apply to damage that MILWAUKEE determines to be from repairs made or attempted by anyone other than MILWAUKEE authorized personnel, misuse, alterations, abuse, normal wear and tear, lack of maintenance, or accidents.

Normal Wear: Many outdoor power equipment products need periodic parts replacement and service to achieve best performance. This warranty does not cover repair when normal use has exhausted the life of a part including, but not limited to trimmer head, trimmer head spool, cutting lines, blades, chains, blower tubes, brushes, o-rings, and seals.

*This warranty does not cover Cordless Battery Packs or Reconditioned Product. There are separate and distinct warranties available for these products.

**The warranty period for SWITCH TANK™ tank assemblies, hoses, handles, and wands are one (1) year from the date of purchase.

MILWAUKEE does not cover freight or labor charges associated with the inspection and testing of outdoor power equipment products which are found by MILWAUKEE not to be a valid warranty claim. A valid warranty claim must be substantiated by the discovery of defective material or workmanship by MILWAUKEE.

ACCEPTANCE OF THE EXCLUSIVE REPAIR AND REPLACEMENT REMEDIES DESCRIBED HEREIN IS A CONDITION OF THE CONTRACT FOR THE PURCHASE OF EVERY MILWAUKEE PRODUCT. IF YOU DO NOT AGREE TO THIS CONDITION, YOU SHOULD NOT PURCHASE THE PRODUCT. IN NO EVENT SHALL MILWAUKEE BE LIABLE FOR ANY INCIDENTAL, SPECIAL, CONSEQUENTIAL OR PUNITIVE DAMAGES, OR FOR ANY COSTS, ATTORNEY FEES, EXPENSES, LOSSES OR DELAYS ALLEGED TO BE AS A CONSEQUENCE OF ANY DAMAGE TO, FAILURE OF, OR DEFECT IN ANY PRODUCT INCLUDING, BUT NOT LIMITED TO, ANY CLAIMS FOR LOSS OF PROFITS. SOME STATES DO NOT ALLOW THE EXCLUSION OR LIMITATION OF INCIDENTAL OR CONSEQUENTIAL DAMAGES, SO THE ABOVE LIMITATION OR EXCLUSION MAY NOT APPLY TO YOU. THIS WARRANTY IS EXCLUSIVE AND IN LIEU OF ALL OTHER EXPRESS WARRANTIES, WRITTEN OR ORAL. TO THE EXTENT PERMITTED BY LAW, MILWAUKEE DISCLAIMS ANY IMPLIED WARRANTIES, INCLUDING WITHOUT LIMITATION ANY IMPLIED WARRANTY OF MERCHANTABILITY OR FITNESS FOR A PARTICULAR USE OR PURPOSE; TO THE EXTENT SUCH DISCLAIMER IS NOT PERMITTED BY LAW, SUCH IMPLIED WARRANTIES ARE LIMITED TO THE DURATION OF THE APPLICABLE EXPRESS WARRANTY AS DESCRIBED ABOVE. SOME STATES DO NOT ALLOW LIMITATIONS ON HOW LONG AN IMPLIED WARRANTY LASTS, SO THE ABOVE LIMITATION MAY NOT APPLY TO YOU. THIS WARRANTY GIVES YOU SPECIFIC LEGAL RIGHTS, AND YOU MAY ALSO HAVE OTHER RIGHTS WHICH VARY FROM STATE TO STATE.

This warranty applies to product sold in the U.S.A. and Canada only. Please consult the 'Service Center Search' in the Parts & Service section of MILWAUKEE's website www.milwaukeeetool.com or call 1.800.SAWDUST (1.800.729.3878) to locate your nearest service facility for warranty and non-warranty service on a Milwaukee electric power tool.

INSTRUCTIONS IMPORTANTES CONCERNANT LA SÉCURITÉ

▲ ADVERTENCIA Consulter tous les avertissements et toutes les instructions, les illustrations et les précisions fournis avec cet outil électrique. Ne pas suivre l'ensemble des instructions décrites ci-dessous peut entraîner une électrocution, un incendie ou des blessures graves. **Conserv**er tous les avertissements et toutes les instructions pour référence ultérieure. Le terme « outil électrique », utilisé dans tous les avertissements, désigne tout outil fonctionnant sur secteur (câblé) ou sur batteries (sans fil).

SÉCURITÉ DU LIEU DE TRAVAIL

- **Garder le lieu de travail propre et bien éclairé.** Le désordre et le manque de lumière favorisent les accidents.
- **Ne pas utiliser d'outils électriques dans des atmosphères explosives, par exemple en présence de liquides, gaz ou poussières inflammables.** Les outils électriques produisent des étincelles risquant d'enflammer les poussières ou vapeurs.
- **S'assurer que les enfants et les curieux se trouvent à une bonne distance au moment d'utiliser ce produit.** Les distractions peuvent causer une perte de contrôle.

SÉCURITÉ ÉLECTRIQUE

- **Éviter tout contact avec des surfaces mises à la terre comme des tuyaux, des radiateurs, des cuisinières et des réfrigérateurs.** Le risque de choc électrique est accru lorsque le corps est mis à la terre.
- **Ne pas exposer les outils électriques à l'eau ou l'humidité.** La pénétration d'eau dans ces outils accroît le risque de choc électrique.
- **Utilisation à l'extérieur. Ne pas exposer l'outil à la pluie ; l'entreposer à l'intérieur.**

SÉCURITÉ PERSONNELLE

- **Rester attentif, prêter attention au travail et faire preuve de bon sens lors de l'utilisation de tout outil électrique. Ne pas utiliser cet appareil en cas de fatigue ou sous l'influence de l'alcool, de drogues ou de médicaments.** Un moment d'inattention pendant l'utilisation d'un outil électrique peut entraîner des blessures graves.
- **Porter l'équipement de protection individuel requis. Toujours porter une protection oculaire.** Selon les conditions, porter aussi un masque antipoussières, des bottes de sécurité antidérapantes, un casque protecteur ou une protection auditive afin de réduire les blessures.
- **Empêcher les démarrages accidentels. S'assurer que la gâchette est en position d'arrêt avant de brancher l'outil à une source de courant, d'insérer la batterie, de le ramasser ou de le transporter.** Le fait de transporter un outil électrique en gardant le doigt sur la gâchette ou de mettre sous tension un outil électrique lorsque la gâchette est en position de marche favorise les accidents.
- **Ne pas travailler hors de portée. Toujours se tenir bien campé et en équilibre.** Une bonne stabilité procure un meilleur contrôle de l'outil électrique en cas d'imprévus.
- **Porter une tenue appropriée. Ne porter ni vêtements amples, ni bijoux. Garder les cheveux et les**

vêtements à l'écart des pièces en mouvement. Les vêtements flottants, les bijoux ou les cheveux longs risquent d'être happés par les pièces en mouvement.

- **Ne pas laisser la familiarité avec l'utilisation fréquente de l'outil vous faire sentir content de soi et ignorer les principes fondamentaux de sécurité à propos de l'outil.** Un manque d'attention, même d'une fraction de seconde, pourra entraîner des blessures graves.

UTILISATION ET ENTRETIEN DES OUTILS ÉLECTRIQUES

- **Ne pas forcer l'outil. Utiliser l'outil approprié pour l'application.** Un outil approprié exécutera le travail mieux et de façon moins dangereuse s'il est utilisé dans les limites prévues.
 - **Ne pas utiliser l'outil si le commutateur ne permet pas de le mettre en marche ou de l'arrêter.** Tout outil qui ne peut pas être contrôlé par son commutateur est dangereux et doit être réparé.
 - **Débrancher l'outil et/ou retirer le bloc de batteries, si possible, avant d'effectuer des réglages, de changer d'accessoire ou d'entreposer l'outil.** Ces mesures de sécurité préventives réduisent les risques de démarrage accidentel de l'outil.
 - **Entreposer l'outil électrique hors de la portée des enfants et interdire à quiconque de l'utiliser si la personne ne connaît pas bien le produit ou les instructions.** Les outils sont dangereux dans les mains d'utilisateurs novices.
 - **Entretenir les outils électriques et les accessoires. Vérifier qu'aucune pièce mobile n'est mal alignée ou bloquée, qu'aucune pièce n'est brisée et s'assurer qu'aucun autre problème risque d'affecter le bon fonctionnement de l'outil.**
 - **Utiliser l'outil électrique, les accessoires, les grans etc. conformément à ces instructions en tenant compte des conditions de travail et de la tâche à effectuer.** L'usage d'un outil électrique pour des applications pour lesquelles il n'est pas conçu peut être dangereux.
 - **Garder les poignées et les surfaces de prise sèches, propres et exemptes d'huile ou de graisse.** Les poignées et les surfaces de prise glissantes ne permettent pas le maniement et le contrôle sécuritaires de l'outil dans des situations imprévues.
- ## UTILISATION ET ENTRETIEN DE L'OUTIL À BATTERIE
- **Ne recharger qu'avec le chargeur spécifié par le fabricant.** Un chargeur pouvant convenir à un type de bloc-piles peut entraîner un risque d'incendie lorsqu'il est utilisé avec un autre type de bloc-piles.
 - **N'utiliser l'outil électrique qu'avec une batterie recommandée.** L'utilisation de tout autre bloc-piles peut créer un risque de blessures et d'incendie.
 - **Lorsque la batterie n'est pas utilisée, la tenir éloignée des objets en métal tels que les trombones, les pièces de monnaie, les clés, les clous, les vis ou d'autres petits objets métalliques qui pourraient connecter les bornes.** Le court-circuitage des bornes d'une batterie peut entraîner des brûlures ou un incendie.
 - **Éviter tout contact avec le liquide pouvant être éjecté de la batterie en cas de manutention abusive. En cas de contact accidentel, rincer immédiatement les parties atteintes avec de l'eau. Si le liquide entre en contact avec les yeux, consulter un médecin.** Le liquide s'échappant des batteries peut causer des irritations ou des brûlures.
 - **Ne pas utiliser les blocs-piles ni les outils endommagés ou modifiés.** Les batteries endommagées ou modifiées pourront montrer un comportement imprévisible qui entraînera des incendies, des explosions et même de risques de blessures.

- **Ne pas exposer les blocs-piles ni les outils au feu ou de températures excessives.** L'exposition au feu ou des températures excédantes les 130 °C (265 °F) pourront entraîner des explosions.
- **Suivre toutes les consignes de chargement de batteries et charger le bloc-piles ni l'outil selon les températures ambiantes d'utilisation listées dans les consignes.** Le chargement inadéquat ou les températures excessives pourront endommager la batterie.

RÉPARATION

- **Les réparations doivent être confiées à un technicien qualifié, utilisant exclusivement des pièces identiques à celles d'origine.** Le maintien de la sûreté de l'outil électrique sera ainsi assuré.
- **Ne jamais entretenir les bloc-piles endommagés.** L'entretien des blocs-piles ne devra être confié qu'au fabricant ou aux fournisseurs de service autorisés.

RÈGLES DE SÉCURITÉ PARTICULIÈRES POUR L'UTILISATION DU PULVERISATEUR À DOS

- **AVERTISSEMENT** Risque d'incendie ou d'explosion. Ne vaporisez pas de liquides inflammables tels que de l'essence, des solvants ou des produits chimiques dégageant des gaz. N'utilisez pas d'outil autour des étincelles, des flammes ou de la fumée. Le produit chimique peut s'enflammer.
- Utiliser le réservoir approprié pour le travail. Ce produit est approprié pour les applications de pesticides (tels que les insecticides, les fongicides, ou les herbicides), les fertilisants, applications de bétonnage (tels que les mastics non inflammables, les composés de durcissement et l'huile de décoffrage) et les applications d'alimentation en eau, lorsqu'ils sont utilisés selon ces consignes et celles fournies avec les produits chimiques.
- Ne pas utiliser d'eau de Javel, de liquides caustiques (alcali) auto-échauffants ni corrosifs avec ce pulvérisateur. Ne pas verser de liquides chauds ni bouillants dans le réservoir. Ils peuvent corroder les pièces métalliques ou affaiblir le réservoir et le tuyau.
- Pour réduire les risques d'incendie, blessures et dommages sur le produit provoqués par des courts-circuits, ne jamais plonger votre outil, bloc-piles ou chargeur dans un fluide et ne pas permettre qu'un fluide entre là-dedans. Ne pas placer ni entreposer l'outil dans un endroit où il peut tomber ou être tiré dans un évier ou une baignoire. Les fluides corrosifs et conducteurs, tels que l'eau de mer, quelques produits chimiques industriels et solutions d'eau de Javel ou d'autres produits ayant de l'hypochlorite, etc., pourront provoquer des courts-circuits.
- Risque de décharge électrique. Ne jamais pulvériser en direction d'une prise de courant.
- La zone de pulvérisation doit être bien ventilée afin d'éviter l'accumulation de fumes.
- Éviter de pulvériser pendant des journées de vent. Le mélange peut être accidentellement soufflé sur les personnes, les plantes et les objets qui ne doivent pas être pulvérisés.
- Ne pas entreposer les produits chimiques dans le réservoir. Les produits chimiques pourront dégrader les embouts et les tuyaux. Veuillez les vider et nettoyer après chaque usage.
- Retirer ses gants avant de manipuler les bloc-piles. Les produits chimiques nuisent les pièces en plastiques.

- **Entretien l'outil.** Inspecter attentivement l'intérieur et l'extérieur de l'outil ainsi que tous les composants avant chaque usage. Vérifier l'outil pour déceler les tuyaux fendus ou endommagés, les fuites, les gicleurs bouchés et les pièces manquantes ou endommagées. En cas de dommages, faire réparer l'outil avant de l'utiliser. Plusieurs accidents sont causés par des produits mal entretenus.
- **Toujours débrancher le chargeur et retirer le bloc-piles du chargeur ou de l'outil avant d'entretenir, entreposer ou vider l'outil.** Ne jamais démonter l'outil, le bloc-piles ni le chargeur. Pour TOUTE réparation, contacter un centre de service MILWAUKEE.
- **Ne jamais manger ni fumer pendant l'utilisation ou l'opération de l'outil.** Après chaque usage, nettoyer l'outil avec de l'eau savonneuse chaude pour minimiser le risque de dangers pour la santé causés par l'exposition aux produits chimiques.
- **Toujours faire preuve de bons sens et procéder avec prudence lors de l'utilisation d'outils.** C'est impossible de prévoir toutes les situations qui pourraient avoir un résultat dangereux. Ne pas utiliser cet outil si vous ne comprenez pas ces instructions d'opération ou si vous pensez que le travail dépasse votre capacité ; veuillez contacter Milwaukee Tool ou un professionnel pour recevoir plus d'information ou formation.
- **Ne pas utiliser le compartiment à piles pour le rangement.**
- **Maintenir en état les étiquettes et les plaques signalétiques.** Des informations importantes y figurent. Si elles sont illisibles ou manquantes, contacter un centre de services et d'entretien MILWAUKEE pour un remplacement gratuit.

- **AVERTISSEMENT** La poussière dégagée par certains matériaux lors du ponçage, sciage, meulage, perçage et autres opérations de construction contient des produits chimiques reconnus pour causer le cancer, des malformations congénitales ou des lésions de l'appareil reproducteur. Voici certains exemples de ces produits chimiques :
 - le plomb contenu dans la peinture au plomb
 - la silice cristalline contenue dans les briques, le ciment et d'autres produits de maçonnerie, ainsi que
 - l'arsenic et le chrome contenus dans le bois de construction traité par produits chimiques.
 Le risque présenté par l'exposition à ces produits varie en fonction de la fréquence de ce type de travail. Pour réduire les risques d'exposition à ces produits chimiques, travailler dans un endroit bien aéré et utiliser des équipements de sécurité approuvés tels que les masques antipoussière spécialement conçus pour filtrer les particules microscopiques.

CONSERVER CES INSTRUCTIONS

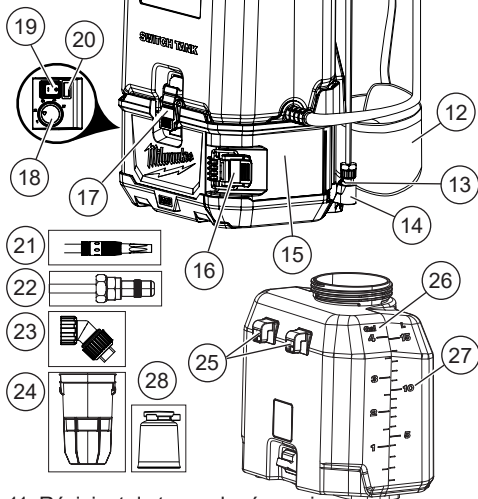
SPÉCIFICATIONS

No de Cat.....	2820-20
Volts.....	18 CD
Type de batterie	M18™
Type de chargeur	M18™
Capacité du réservoir	(15 l) (4 gal.)
Débit	0,38 à 4,28 LPM
Poids total	25 kg (55 lbs)
Température ambiante de fonctionnement recommandée	
-18°C à 50°C (0°F à 125°F)	
Réservoir uniquement (pesticide).....	49-16-28PS
Réservoir uniquement (béton).....	49-16-28CS
Réservoir uniquement (eau).....	49-16-28WS

DESCRIPTION FONCTIONNELLE

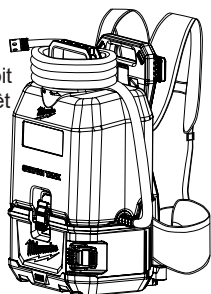
1. Réservoir
2. Capuchon de réservoir
3. Emplacement de rangement de la lance
4. Poignée de transport
5. Lance de pulvérisation
6. Verrou activé de gâchette ^
7. Poignée à gâchette ^
8. Verrou désactivé de gâchette ^
9. Bandoulières
10. Tuyau

No de Cat.
49-16-28PS
49-16-28CS



11. Récipient de tuyau du réservoir
12. Ceinture de fixation
13. Buse à eau ^
14. Porte-buse
15. Compartiment des piles
16. Bloquet de la porte du compartiment des piles
17. Loquet de réservoir
18. Cadran de réglage de débit
19. Commutateur marche/arrêt
20. Témoin activation/arrêt
21. Buse à eau *
22. Buse à réglable ^
23. Buse à ventilateur ^
24. Crépine
25. Clips de réservoir
26. Marquage de galons
27. Marquage de litres
28. Tasse de mesure ☐

No de Cat.
49-16-28WS



* 49-16-28WS seulement
^ 49-16-28PS et 49-16-28CS seulement ☐ 49-16-28PS seulement

PICTOGRAPHIE



Volts



Courant direct



Lire le manuel d'utilisation



Porter de l'équipement de protection (EP) selon les consignes du fabricant du produit chimique.



Porter une protection oculaire.



Porter des gants



Ne vaporisez pas de liquides inflammables



UL Listing Mark pour Canada et États-unis

ASSEMBLAGE

⚠ AVERTISSEMENT Ne recharger la batterie qu'avec le chargeur spécifié. Pour prendre connaissance des instructions relatives à la charge, lire le manuel d'utilisation fourni avec le chargeur et la batterie.

Enlèvement/insertion de la batterie

Pour retirer la batterie, appuyer sur les boutons de relâchement et extraire la batterie de l'outil.

⚠ AVERTISSEMENT Toujours retirer les bloc-piles avant de changer ou enlever les accessoires.

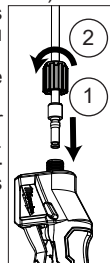
Pour insérer la batterie, la glisser dans le corps de l'outil. Assurez-vous qu'il y est bien inséré en place..

⚠ AVERTISSEMENT Utiliser seulement des accessoires spécialement recommandés pour cet outil. L'utilisation d'autres types d'accessoires pourrait entraîner des situations dangereuses.

Connection de la lance de pulvérisation à la poignée de la gâchette

(No de Cat. 49-16-28PS, 49-16-28CS)

1. Insérer la lance de pulvérisation dans la poignée à gâchette (1) jusqu'au bout.
2. Glisser l'écrou dans le raccord fileté et le serrer solidement à la main (2).
3. Tirer sur la lance de pulvérisation pour s'assurer qu'elle est fixée solidement.
4. Mettre la poignée à gâchette assemblée et la lance dans l'un des emplacements de rangement.



Connecting the Nozzles

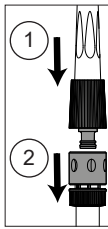
(No de Cat. 49-16-28PS, 49-16-28CS)

Sélectionner et retirer les vis sur la buse selon le type de travail. Lors de l'utilisation de la buse réglable, serrer ou desserrer la buse au besoin pour ajuster le type de pulvérisation.

Connexion d'alimentation en eau ou buse

(No de Cat. 49-16-28WS)

Pour fixer le tuyau d'alimentation d'eau à l'outil ou à la buse, poussez le raccord à connexion rapide et l'outil/buse ensemble (1). Tirez sur la connexion pour être certain qu'elle est correctement fixée. Pour le retirer, tirez le collier vers l'arrière pour le relâcher (2). Lorsque vous utilisez la buse, réglez le jet comme désiré en serrant/desserrant la buse.



AVERTISSEMENT S'assurer que la porte du compartiment des piles soit fermé au loquet lors de la présence de produits chimiques.

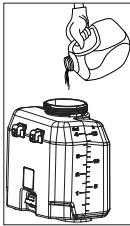
Remplissage du réservoir

AVERTISSEMENT Avant de remplir le réservoir, le retirer de la base. S'assurer que la porte du compartiment des piles soit fermé au loquet lors de la présence de produits chimiques.

Mélanger les produits chimiques selon les consignes du fabricant. Ne pas suivre ces instructions pourra provoquer que les produits chimiques abrasifs causent des blessures à l'utilisateur ou bien, endommager l'outil.

Une crêpe amovible évite que des débris pouvant bloquer ou endommager la pompe entrent dans le réservoir. Mettre des étiquettes sur les produits à utiliser dans le réservoir durant chaque usage. N'utiliser que les liquides recommandés pour le réservoir. Il faut utiliser de l'eau uniquement dans le réservoir de versage d'eau.

1. S'assurer que la porte du compartiment des piles est bien fermée.
2. Retirer le réservoir de la base et le mettre sur une surface plate qui se trouve loin d'elle pour éviter laisser la base exposée à des produits chimiques abrasifs.
3. Retirer les vis et le capuchon de réservoir ; s'assurer que la crêpe est bien mise en place.
4. Remplir le réservoir (jusqu'à 15 l [4 gal.] ; ne pas remplir excessivement). Utiliser les marques de guide de capacité qui se trouvent à côté du réservoir.
5. Remettre le capuchon du réservoir.
6. Remettre le réservoir sur place.



Installation du réservoir

1. S'assurer que la porte du compartiment des piles est bien fermée.
2. Glisser les clips du réservoir sur la base et mettre le réservoir dans l'espace correspondant sur la base.
3. Fixer le réservoir à la base à l'aide des loquets avant et derrière, en s'assurant que le réservoir est nivelé, bien mis en place et tous les embouts sont alignés.

AVERTISSEMENT Lorsqu'il est rempli, le pulvérisateur sera lourd.

Il vous faut faire attention lorsque vous mettez le pulvérisateur à dos afin d'éviter les entorses.

Mise à dos

1. S'assurer que le réservoir est bien attaché à la base à l'aide des loquets avant et arrière, le capuchon du réservoir est mis et la porte du compartiment des piles est fermée à loquet.
2. Ramasser l'outil à dos par une des bandoulières, faire passer vos bras à travers de chacune des bandoulières.
3. Au moment où vous tenez le pulvérisateur sur le dos, serrer les bandoulières et la ceinture jusqu'à achever une position convenable et sécuritaire, bien haut sur votre dos. Connecter la sangle à poitrine.
4. S'assurer que la sangle à poitrine, les bandoulières et la ceinture de fixation sont bien serrées et confortables. Si elles ne sont pas serrées, le pulvérisateur pourra se bouger, ce qui le rendra inconfortable pour le porter.
5. Tenir compte que le contenu du réservoir ira changer pendant l'utilisation et le mouvement.

MANIEMENT

Réglage du débit

Sélectionner le débit désiré, soit faible (1), soit haut (5), selon le travail en question et les consignes du fabricant du produit chimique.

Débit	2820-20PS (Buse à flot)	2820-20CS (Buse à flot)	2820-20WS (Flot ouvert)
1	0,38 LPM	0,53 LPM	0,61 LPM
2	0,64 LPM	0,79 LPM	0,83 LPM
3	0,91 LPM	1,25 LPM	1,32 LPM
4	1,32 LPM	1,67 LPM	2,01 LPM
5	1,93 LPM	3,10 LPM	4,28 LPM

AVERTISSEMENT Afin de minimiser le risque de blessures, toujours porter de l'équipement de protection (EP) selon les consignes du fabricant du produit chimique. Toujours porter une protection oculaire.

Toujours s'assurer que le loquet de la porte du compartiment des piles est bien fermé avant chaque usage.

S'assurer que le verrou de la poignée à gâchette n'est pas engagé avant D'ALLUMER l'outil.

Mise en MARCHÉ et ARRÊT du pulvérisateur

1. Installer le bloc-pile. Fermer la porte du compartiment du bloc-piles à loquet.
2. Pour mettre en **MARCHÉ** le pulvérisateur, enfoncer le bouton MARCHÉ/ARRÊT à la position « I ». Le témoin LED s'allumera en vert.
3. Pour **commencer** à amener le liquide à la lance de pulvérisation, appuyer sur la gâchette.
4. Pour **arrêter** le débit du liquide dans la lance de pulvérisation, relâcher la gâchette.
5. Pour mettre en **ARRÊT** le pulvérisateur, enfoncer le bouton MARCHÉ/ARRÊT à la position « O ».

REMARQUE : Tenir compte que certains matériaux à pulvérisation pourront rester dans la lance et goutter. Pour le vider, éteindre l'outil et après, appuyer sur la gâchette et diriger l'outil vers le bas jusqu'à ce qu'il ne goutte plus.

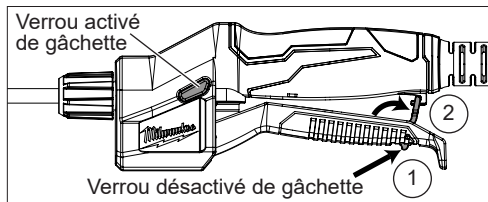
Gâchette à verrouillage

(No de Cat. 49-16-28PS, 49-16-28CS)

Utiliser le verrou de la gâchette quand vous pulvérisez pendant une période de temps prolongée ou bien, quand vous voulez couvrir une large zone.

1. Pour verrouiller la gâchette, appuyer sur elle et puis, sur le bouton de verrouillage.
2. Pour désengager le verrou, appuyer sur la gâchette, puis la relâcher.

REMARQUE : Veuillez s'assurer que la gâchette n'est pas verrouillée avant de mettre le pulvérisateur en arrêt afin d'éviter la pulvérisation accidentelle lorsque le pulvérisateur soit mis en marche encore une fois.



Désactivation du verrou de la gâchette

(No de Cat. 49-16-28PS, 49-16-28CS)

Afin d'éviter la pulvérisation accidentelle, ne pas engager le verrou.

1. Appuyer sur le bouton de verrouillage à l'extrême de la gâchette (1).
2. Suspendre l'onglet de verrouillage dans le crochet sous la gâchette (2).
3. Pour le libérer, appuyer encore une fois sur l'onglet pour la remettre en place.

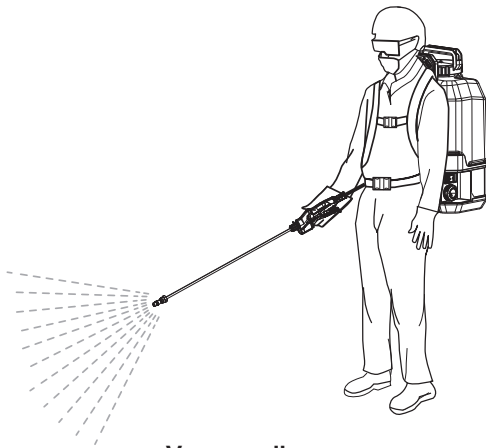
APPLICATIONS

⚠ AVERTISSEMENT Avant d'utiliser tout produit ou solution chimique, veuillez lire et suivre toutes les consignes du fabricant original. Lire toutes les fiches signalétiques de sécurité (FSS) et les étiquettes du conteneur fournies avec le produit chimique. Les produits chimiques pourront causer des blessures corporelles, des dommages à la propriété ou sur l'outil. Porter de l'équipement de protection (EP) selon les consignes du fabricant du produit chimique. Toujours porter une protection oculaire.

Pulvérisation

(No de Cat. 49-16-28PS, 49-16-28CS)

1. Remplir le réservoir et après, l'installer sur la base.
2. Remettre l'outil à dos et ajuster les bandoulières et la ceinture.
3. Mettre l'outil en marche.
4. Appuyer sur la gâchette et commencer à passer la buse d'un côté à l'autre sur toute la surface désirée selon les consignes fournies par le fabricant du produit chimique.
5. Verrouiller la gâchette, si nécessaire, pour un emploi prolongé.
6. Quand vous avez terminé le travail, relâcher la gâchette, mettre l'outil en arrêt, vider le réservoir et le nettoyer.



Versage d'eau

(No de Cat. 49-16-28WS)

1. Remplir le réservoir avec de l'eau fraîche et après, l'installer sur la base.
2. Mettre l'outil auprès de l'espace de travail qui sera à portée du tuyau de versage d'eau.
3. Attacher le tuyau d'alimentation en eau avec le raccord à connexion rapide. Tirer sur les éléments connectés pour s'assurer qu'ils sont bien mis en place.
3. Pour verser de l'eau, allumer l'outil.
4. Faire attention au niveau d'eau dans le réservoir. Lorsqu'il est vide, mettre l'outil en arrêt, débrancher le tuyau et remplir le réservoir encore une fois. Ne pas utiliser l'outil si le réservoir est vide.
5. Quand vous avez terminé le travail, débrancher le tuyau, vider le réservoir et le nettoyer.

ENTRETIEN

Entretien de l'outil

Garder l'outil, le bloc-piles et le chargeur en bon état en les soumettant à un programme d'entretien régulier. Inspecter l'outil pour vérifier qu'il ne fait pas de bruits bizarres, qu'aucune pièce mobile n'est mal alignée ou bloquée, qu'aucune pièce n'est brisée et s'assurer qu'aucun autre problème risque d'affecter le bon fonctionnement de l'outil. Retourner l'outil, le chargeur et le bloc-piles à un centre de service MILWAUKEE pour les faire réparer. Après six mois à un an, selon l'utilisation, confier l'outil, le bloc-piles et le chargeur à un centre de service MILWAUKEE pour les faire inspecter.

Si l'outil ne démarre pas ou ne fonctionne pas à plein régime une fois le bloc-piles complètement chargé, nettoyer les contacts dans le compartiment. Si l'outil ne fonctionne toujours pas, le retourner ainsi que le chargeur et le bloc-piles à un centre de service MILWAUKEE aux fins de réparation.

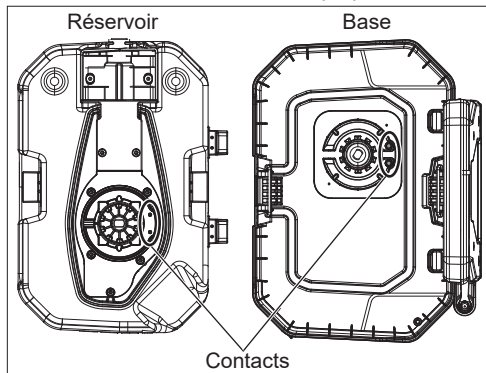
⚠ AVERTISSEMENT Afin de minimiser le risque de blessures physiques et de dommages, ne jamais plonger l'outil, le bloc-piles ni le chargeur dans un fluide et ne pas laisser le fluide entrer là-dedans. Ne pas utiliser d'eau de javel comme agent de nettoyage.

Nettoyage

Nettoyer les événements de l'outil des débris et de la poussière. Garder les poignées de l'outil propres, sèches et exemptes d'huile ou de graisse. Utiliser uniquement un savon doux et un linge humide, puisque certains agents de nettoyage et certains solvants peuvent détériorer le plastique et les autres pièces isolées. En voici quelques exemples : l'essence, la térbenthine, les diluants à laque ou à peinture, les solvants chlorés, l'ammoniaque et les détergents à usage domestique qui en contiennent. Ne jamais utiliser de solvants inflammables ou combustibles autour des outils. Garder les prises électriques sous le réservoir et la base propres.

Nettoyage des contacts électriques

Gardez les poteaux de contact électriques entre le fond du réservoir et la base propre. **AVERTISSEMENT!** Retirez le bloc-piles de l'outil avant de nettoyer les contacts électriques. Nettoyez les contacts avec un chiffon sec et propre seulement.



AVERTISSEMENT Afin de minimiser le risque de blessures, toujours porter de l'équipement de protection (ep) selon les consignes du fabricant du produit chimique. Toujours porter une protection oculaire.

Vidange et nettoyage du réservoir, du tuyau et de lance de pulvérisation

S'il y a des restes de liquide dans le réservoir après l'utilisation, le réservoir devrait être vidé avant le nettoyage. Ne pas entreposer pas les produits chimiques dans le réservoir. Il faut nettoyer le réservoir avant de remplir avec un autre type de liquide. Ne pas mélanger de liquides. Suivre les consignes du fabricant du produit chimique pour le nettoyage, l'entreposage et l'élimination du liquide restant.

Pour vider :

1. S'assurer que la porte du compartiment des piles est bien fermée.
2. Retirez le réservoir de la base.
3. Videz le réservoir dans un récipient approprié en passant par la zone de remplissage. **AVERTISSEMENT!** Portez toujours un équipement de protection individuelle (EPI) selon les instructions du fabricant du produit chimique. Portez toujours une protection oculaire.

Pour nettoyer :

1. S'assurer que la porte du compartiment des piles est bien fermée.
2. Retirer le réservoir de la base et le mettre sur une surface plate qui se trouve loin d'elle pour éviter laisser la base exposée à des produits chimiques abrasifs.

3. Retirer le réservoir et le remplir à un tiers avec de l'eau fraîche. Une petite quantité de détergent ménager peut être ajouté. Remplacer le capuchon et verser l'eau doucement autour du réservoir.
4. Installer le réservoir et arroser l'eau jusqu'à ce qu'il soit vide. S'assurer d'orienter le jet vers un endroit qui ne sera pas endommagé par les produits chimiques qui restent dans le réservoir.
5. Répéter les étapes avec de l'eau fraîche jusqu'à ce que le réservoir soit bien propre. Laver l'extérieur des buses et les sécher à l'aide d'un linge.
6. Essuyer l'extérieur du réservoir à l'aide d'un linge propre et sec.
7. Laisser toutes les pièces sécher complètement avant de les réinstaller et d'entreposer l'unité. Toujours remettre la crépine sur place avant de remplacer le capuchon du réservoir.

Conservation

Entreposer à l'intérieur. Entreposer la lance de pulvérisation d'une façon sécuritaire dans le compartiment de rangement de la lance. Entreposer le pulvérisateur à l'intérieur, dans un endroit sûr et bien ventilé après avoir vidé le réservoir.

Réparations

Pour les réparations, retournez outil, batterie et chargeur en entier au centre-service autorisé le plus près.

ACCESOIRES

AVERTISSEMENT L'utilisation d'autres accessoires que ceux qui sont spécifiquement recommandés pour cet outil peut comporter des risques.

Pour une liste complète des accessoires, visiter le site internet www.milwaukeeetool.com ou contactez un distributeur.

COMMUNICATION SANS FIL

Pour les produits comportant des fonctions de communication sans fil, ONE-KEY™ y compris : Conformément à la part 15.21 du Règlement de la FCC, ne pas modifier ce produit-ci. Une telle modification pourra annuler votre autorisation à utiliser le produit. Cet appareil est conforme à la part 15 du Règlement de la FCC et les normes RSS d'exemption de licence de l'ISED-Canada. Son fonctionnement est soumis aux conditions suivantes : 1) Cet appareil ne doit produire aucun brouillage préjudiciable ; et 2) cet appareil doit fonctionner en dépit de tout brouillage capté, y compris le brouillage pouvant mener à un fonctionnement non désiré.

SERVICE - CANADA

Milwaukee Tool (Canada) Ltd

1.800.268.4015

Monday-Friday, 7:00 AM - 4:30 PM CST

www.milwaukeeetool.ca

GARANTIE LIMITÉE - AUX ÉTATS-UNIS ET AU CANADA

Chaque équipement électrique d'extérieur* de MILWAUKEE (voir exceptions ci-dessous) est garanti à l'acheteur d'origine uniquement pour être exempt de vices de matériaux et de fabrication. Sous réserve de certaines exceptions, MILWAUKEE réparera ou remplacera toute pièce d'un équipement électrique d'extérieur qui, après examen par MILWAUKEE, s'est avéré être affecté d'un vice de matériau ou de fabrication et ce pendant une période de trois (3) ans** à compter de la date d'achat, sauf indication contraire. Retourner l'équipement électrique d'extérieur, à un centre de réparations en usine MILWAUKEE ou à un poste d'entretien agréé MILWAUKEE, en port prépayé et assuré. Une copie de la preuve d'achat doit être présentée avec le produit retourné. Cette garantie ne couvre pas les dommages que MILWAUKEE détermine être causés par des réparations ou des tentatives de réparation par quiconque autre que le personnel agréé

par MILWAUKEE, ou par des utilisations incorrectes, des altérations, des utilisations abusives, une usage normale, une carence d'entretien ou des accidents.

Usure normale : Plusieurs équipements électriques d'extérieur requièrent un remplacement et un entretien périodique de leurs pièces pour un meilleur rendement. Cette garantie ne couvre pas la réparation des pièces due à l'utilisation normale de l'outil, y compris, mais sans s'y limiter, la tête de coupe, la bobine, les fils de coupe, les lames, les fils, les chaînes, les tubes de soufflage, les joints toriques, et les joints.

* Cette garantie ne s'applique pas aux blocs-piles sans fil ou au produit résiné. Il existe des garanties séparées distinctes pour ces produits. ** Les ensembles de réservoir, les flexibles, les poignées et les rallonges SWITCH TANK™ sont garantis un (1) an à compter de la date d'achat. MILWAUKEE n'assume aucun frais de transport ou de main d'œuvre liés à l'inspection et à la vérification des équipements électriques d'extérieur qui, de l'avis de MILWAUKEE, ne donnent pas droit à une réclamation au titre de la garantie. Pour être admissible, une réclamation au titre de la garantie doit être justifiée par un vice du matériel ou de fabrication découvert par MILWAUKEE.

L'ACCEPTATION DES RECOURS EXCLUSIFS DE RÉPARATION ET DE REMPLACEMENT DÉCRITS DANS LES PRÉSENTS EST UNE CONDITION DU CONTRAT D'ACHAT DE TOUT PRODUIT MILWAUKEE. SI VOUS N'ACCEPTÉZ PAS CETTE CONDITION, VOUS NE DEVEZ PAS ACHETER LE PRODUIT. EN AUCUN CAS, MILWAUKEE NE SAURAIT ÊTRE RESPONSABLE DE TOUT DOMMAGE ACCESSOIRE, SPÉCIAL OU INDIRECT, DE DOMMAGES INTÉRÊTS PUNITIFS OU DE TOUTE DÉPENSE, D'HONORAIRES D'AVOCATS, DE FRAIS, DE PERTE OU DE DÉLAIS ACCESSOIRES À TOUT DOMMAGE, DÉFAILLANCE OU DÉFAUT DE TOUT PRODUIT, Y COMPRIS NOTAMMENT LES PERTES DE PROFIT. CERTAINS ÉTATS ET PROVINCES NE PERMETTANT L'EXCLUSION OU LA LIMITATION DES DOMMAGES DIRECTS OU INDIRECTS, LES RESTRICTIONS CI-DESSUS PEUVENT NE PAS ÊTRE APPLICABLES. CETTE GARANTIE EST EXCLUSIVE ET REMPLACE TOUTE AUTRE GARANTIE EXPRESSE, QU'ELLE SOIT VERBALE OU ÉCRITE. DANS LA MESURE PERMISE PAR LA LOI, MILWAUKEE RENONCE À TOUTE GARANTIE IMPLICITE, Y COMPRIS, MAIS SANS S'Y LIMITER, TOUTE GARANTIE IMPLICITE DE QUALITÉ MARCHANDE OU D'ADAPTATION À UNE UTILISATION OU À UNE FIN PARTICULIÈRE. DANS LA MESURE OU UNE TELLE STIPULATION D'EXONÉRATION N'EST PAS PERMISE PAR LA LOI, LA DURÉE DE CES GARANTIES IMPLICITES EST LIMITÉE À LA PÉRIODE APPLICABLE DE LA GARANTIE EXPRESSE, TEL QUE CELA EST DÉCRIT PRÉCÉDEMMENT. CERTAINS ÉTATS ET PROVINCES NE PERMETTANT PAS DE LIMITATION DE DURÉE DES GARANTIES IMPLICITES, LES RESTRICTIONS CI-DESSUS PEUVENT DONC NE PAS VOUS ÊTRE APPLICABLES. LA PRÉSENTE VOUS CONFÈRE DES DROITS LÉGAUX PARTICULIERS; VOUS BÉNÉFICIEZ ÉGALEMENT D'AUTRES DROITS QUI VARIENT D'UN ÉTAT À UN AUTRE. Cette garantie s'applique aux produits vendus aux États-Unis et au Canada uniquement.

Veuillez consulter la rubrique Centre SAV Milwaukee, dans la section Pièces et Services du site Web de MILWAUKEE, à l'adresse www.milwaukeeeetool.com, ou composer le 1-800-SAWDUST (1-800-729-3878) afin de trouver le centre de service de votre région le plus proche pour l'entretien, sous garantie ou non, de votre outil électrique Milwaukee.

- **No utilice herramientas eléctricas en atmósferas explosivas, tales como en presencia de líquidos, gases o polvos inflamables.** Las herramientas eléctricas crean chispas, y estas podrían incendiar el polvo o los vapores.
- **Mantenga a los niños y a los espectadores alejados mientras utiliza una herramienta eléctrica.** Las distracciones pueden ocasionar la pérdida de control.

SEGURIDAD ELÉCTRICA

- **Evite el contacto corporal con superficies aterrizadas, tales como tuberías, radiadores, estufas y refrigeradores.** Existe un riesgo mayor de descarga eléctrica si su cuerpo está aterrizado.
- **No exponga las herramientas eléctricas a la lluvia ni a condiciones húmedas.** El agua que entre a la herramienta eléctrica aumentará el riesgo de choque eléctrico.
- **Use en exteriores. No exponga a la lluvia; guarde en interiores.**

SEGURIDAD PERSONAL

- **Manténgase alerta, atento a lo que está haciendo y utilice el sentido común al utilizar una herramienta eléctrica. No use una herramienta eléctrica si está cansado o bajo la influencia de drogas, alcohol o medicamentos.** La falta de atención por tan solo un momento mientras opera herramientas eléctricas puede dar lugar a una lesión personal grave.
- **Utilice equipo de protección personal. Siempre use protección para los ojos.** El equipo de protección, tal como una máscara contra polvo, calzado antideslizante, casco o protección auditiva, utilizado para condiciones adecuadas disminuirá las lesiones personales.
- **Evite el arranque accidental. Asegúrese de que el interruptor esté en la posición de apagado antes de conectarlo a una fuente de poder y/o batería, levantar o trasladar la herramienta.** Trasladar herramientas con el dedo en el interruptor o energizar herramientas eléctricas que tienen el interruptor encendido propicia accidentes.
- **No estire el cuerpo demasiado. Mantenga una posición segura y equilibrada adecuada en todo momento.** Esto le permitirá un mayor control de la herramienta eléctrica en situaciones inesperadas.
- **Vístase adecuadamente. No utilice ropa o joyería holgada. Mantenga el cabello y la ropa alejados de las partes móviles.** La ropa holgada, las alhajas o el cabello largo pueden quedarse atrapados en las partes móviles.
- **No permita que la familiaridad por el uso frecuente de las herramientas lo hagan sentirse seguro e ignorar los principios de seguridad de las herramientas.** Un descuido puede provocar lesiones graves en una fracción de segundo.

USO Y CUIDADO DE LAS HERRAMIENTAS ELÉCTRICAS

- **No fuerce la herramienta eléctrica. Use la herramienta eléctrica correcta para su aplicación.** La herramienta eléctrica correcta hará el trabajo mejor y en forma más segura a la velocidad para la cual fue diseñada.
- **No utilice la herramienta eléctrica si el interruptor no la enciende y la apaga.** Cualquier herramienta eléctrica que no pueda controlarse con el interruptor es peligrosa y debe repararse.
- **Desconecte el enchufe de la fuente de energía y/o quite la batería de la herramienta eléctrica, si es posible, antes de realizar cualquier ajuste, cambiar accesorios o almacenar las herramientas eléctricas.** Dichas medidas de seguridad preventivas reducen el riesgo de que la herramienta eléctrica se active por accidente.

INSTRUCCIONES DE SEGURIDAD IMPORTANTES

⚠ ADVERTENCIA Lea todas las advertencias, instrucciones e ilustraciones de seguridad y las especificaciones provistas con esta herramienta eléctrica. No seguir todas las instrucciones que se enumeran a continuación podría provocar una descarga eléctrica, incendio y/o lesiones personales graves. **Guarde todas las advertencias e instrucciones para futura consulta.** La palabra "herramienta eléctrica" en las advertencias se refiere a una herramienta eléctrica accionada por la red eléctrica (por medio de cable) o a una herramienta eléctrica accionada por baterías (sin cable).

SEGURIDAD EN EL ÁREA DE TRABAJO

- **Mantenga el área de trabajo limpia y bien iluminada.** Las áreas desordenadas u oscuras son propicias para los accidentes.

REGLAS DE SEGURIDAD ESPECÍFICAS PARA LA ROCIADORA DE MOCHILA

• **Almacene las herramientas eléctricas que no se estén utilizando fuera del alcance de los niños y no permita que personas que no estén familiarizadas con la herramienta eléctrica o con estas instrucciones la utilicen.** Las herramientas eléctricas son peligrosas cuando están en manos de usuarios inexpertos.

• **Dé mantenimiento a las herramientas eléctricas y accesorios.** Verifique que no haya desalineación, amarre de partes móviles, partes rotas o alguna otra condición que pueda afectar el funcionamiento de la herramienta eléctrica.

• **Utilice la herramienta eléctrica, los accesorios y las puntas, etc. de acuerdo con estas instrucciones, tomando en cuenta las condiciones de trabajo y el trabajo a realizar.** El uso de la herramienta eléctrica para operaciones diferentes a las previstas podría generar una situación peligrosa.

• **Mantenga las empuñaduras y ñas superficies de sujeción secas, limpias y libres de aceite y grasa.** Las empuñaduras y superficies de sujeción resbalosas no permiten el manejo y control seguros de la herramienta en situaciones inesperadas.

USO Y CUIDADO DE LAS HERRAMIENTAS DE BATERÍA

• **Recargue únicamente con el cargador especificado por el fabricante.** Un cargador que es adecuado para un tipo de batería puede crear un riesgo de incendio si se utiliza con otra batería.

• **Utilice las herramientas eléctricas únicamente con baterías específicamente diseñadas.** El uso de cualquier otra batería puede producir un riesgo de lesiones e incendio.

• **Cuando la batería no esté en uso, manténgala alejada de otros objetos metálicos como sujetapapeles, monedas, llaves, clavos, tornillos u otros objetos metálicos pequeños que puedan formar una conexión de una terminal a otra.** Crear un corto entre las terminales de la batería puede ocasionar quemaduras o un incendio.

• **Bajo condiciones de maltrato, el líquido puede ser expulsado de la batería, evite el contacto.** Si ocurre un contacto accidental, enjuague con agua. Si el líquido entra a los ojos, busque también ayuda médica. El líquido expulsado de la batería puede causar irritación o quemaduras.

• **No use una batería o herramienta que se haya dañado o modificado.** Las baterías dañadas o modificadas pueden mostrar un comportamiento impredecible, causando incendios, explosión o riesgo de lesión.

• **No exponga una batería o herramienta al fuego o a temperatura excesiva.** La exposición a fuego o temperatura a más de 130° C (265° F) puede causar explosiones.

• **Siga todas las instrucciones de carga y no cargue la batería o la herramienta fuera del rango de temperatura especificado en las instrucciones.** La carga incorrecta o a temperaturas fuera del rango especificado puede dañar la batería y aumentar el riesgo de incendio.

SERVICIO

• **Lleve su herramienta eléctrica a servicio con un técnico calificado que use únicamente piezas de reemplazo idénticas.** Esto asegurará que se mantenga la seguridad de la herramienta eléctrica.

• **Nunca dé servicio a baterías dañadas.** Únicamente el fabricante o proveedores de servicio autorizados deben dar servicio a las baterías.

• **ADVERTENCIA** Riesgo de incendio o explosión. No rocíe líquidos inflamables como gasolina, solventes o productos químicos que producen gas. No use la herramienta alrededor de chispas, llamas o humo. El químico puede encenderse.

• Use el tanque correcto para su aplicación. Este producto es adecuado para aplicaciones de pesticidas (como insecticidas, fungicidas, o herbicidas), fertilizantes, aplicaciones de concreto (como selladores no inflamable, compuestos de curado y aceites para moldes) y aplicaciones de suministro de agua, cuando se usa de acuerdo con estas instrucciones y las suministradas con los químicos.

• No use cloro, líquidos cáusticos (alcalinos) de autocalentamiento o corrosivos (ácidos) en este rociador. No vierta líquidos calientes o hirviendo en el tanque. Estos pueden corroer las partes metálicas o debilitar el tanque y la manguera.

• Para reducir el riesgo de incendio, lesiones personales y daños al producto por un cortocircuito, nunca sumerja su herramienta, batería o cargador en líquido, ni permita que un líquido fluya hacia su interior. No coloque o guarde la herramienta donde pueda caer o ser jalada al interior de una tina o lavabo. Los líquidos corrosivos o conductores, como el agua de mar, ciertos productos químicos industriales y el blanqueador o los productos que contienen blanqueador, etc., pueden causar un cortocircuito.

• Riesgo de descarga eléctrica. Nunca rocíe hacia los enchufes eléctricos..

• El área de rociado debe estar bien ventilada para evitar la acumulación de humos peligrosos.

• Evite rociar en días ventosos. El rocío puede caer sobre personas, plantas u objetos que no se deben rociar.

• No almacene productos químicos en el tanque. Los productos químicos pueden degradar los sellos y las mangueras. Drene y limpie después de cada uso.

• Quite los guantes antes de manipular las baterías. Los productos químicos son perjudiciales para los plásticos.

• Realice el mantenimiento de su herramienta eléctrica. Inspeccione minuciosamente el interior y el exterior y examine todos los componentes antes de cada uso. Revise si hay mangueras agrietadas y deterioradas, fugas, boquillas obstruidas y piezas faltantes o dañadas. Si está dañada, haga reparar la herramienta eléctrica antes de usarla. Muchos accidentes son ocasionados por herramientas eléctricas con mantenimiento deficiente.

• Siempre desenchufe el cargador y retire la batería del cargador o la herramienta antes de realizar cualquier mantenimiento, almacenamiento o drenaje de la herramienta. Nunca desarme la herramienta, la batería o el cargador. Comuníquese con un centro de servicio MILWAUKEE para TODAS las reparaciones.

• No coma ni fume mientras manipula u opera la herramienta. Después del uso, lave con agua caliente y jabón para ayudar a reducir el riesgo de peligros para la salud debido a la exposición a sustancias químicas.

DESCRIPCION FUNCIONAL

• **Siempre use el sentido común y tenga precaución al usar las herramientas.** No es posible anticipar cada situación que podría causar un resultado peligroso. No use esta herramienta si no comprende estas instrucciones operativas o si siente que el trabajo supera su capacidad; contacte a Milwaukee Tool o a un profesional capacitado para obtener información adicional o capacitación.

• **No utilice el compartimento de las pilas para guardarlo.**

• **Conserve las etiquetas y las placas nominales.** Contienen información importante. Si son ilegibles o no están presentes, comuníquese con un centro de servicio MILWAUKEE para obtener un reemplazo gratuito.

• **ADVERTENCIA** Algunos polvos generados por el lijado eléctrico, aserrado, pulido, taladrado y otras actividades de construcción contienen químicos identificados como causantes de cáncer, defectos congénitos u otros daños reproductivos. Algunos ejemplos de estos químicos son:

- plomo de pintura a base de plomo
 - dióxido de silicio de los ladrillos y el cemento y otros productos de albañilería y
 - arsénico y cromo de madera con tratamiento químico.
- Su riesgo por estas exposiciones varía, dependiendo de la frecuencia con que realice este tipo de trabajo. Para reducir su exposición a estos químicos: trabaje en un área bien ventilada y trabaje con equipo de seguridad aprobado, como mascarillas protectoras contra polvo especialmente diseñadas para filtrar partículas microscópicas.

CONSERVE ESTAS INSTRUCCIONES

SIMBOLOGÍA



Volts



Corriente continua



Lea el manual del operador



Use equipo de protección personal (EPP) de acuerdo con las instrucciones del fabricante del producto químico.



Use protección para los ojos



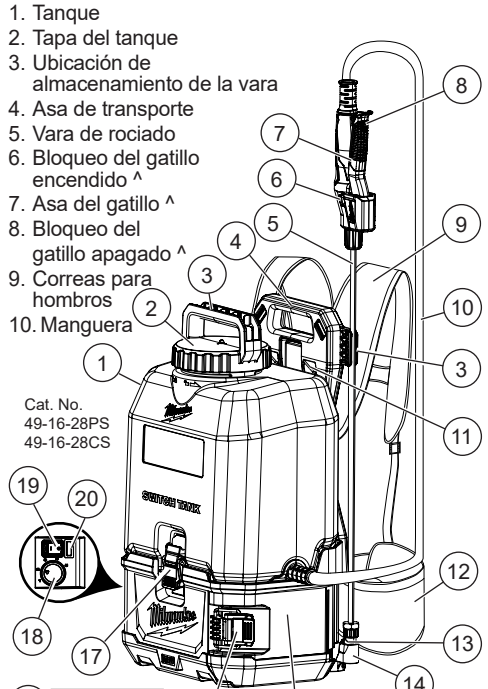
Usar guantes



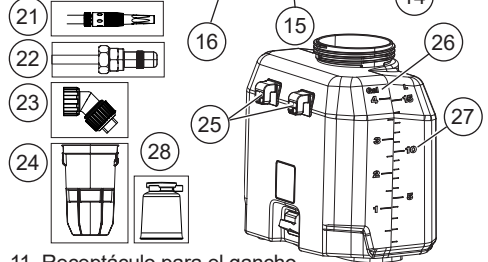
No rocíe líquidos inflamables



UL Listing Mark para Canadá y Estados Unidos



Cat. No.
49-16-28PS
49-16-28CS



Cat. No.
49-16-28WS

11. Receptáculo para el gancho del tanque
12. Correa para la cintura
13. Ajustable boquilla ^
14. Soporte de boquilla
15. Compartimiento de las baterías
16. Pestillo del compartimiento de las baterías
17. Pestillo del tanque
18. Indicador de tasa de flujo
19. Interruptor de encendido/apagado
20. Luz de encendido/apagado
21. Boquilla de agua *
22. Ajustable boquilla ^
23. Boquilla del ventilador ^
24. Colador
25. Ganchos de tanque
26. Marcas de galones
27. Marcas de litro
28. Taza de medición □

* 49-16-28WS solamente
^ 49-16-28PS y 49-16-28CS solamente □ 49-16-28PS solamente

ESPECIFICACIONES

Cat. No.	2820-20
Volts.....	18 CD
Tipo de batería.....	M18™
Tipo de cargador.....	M18™
Capacidad del tanque.....	15 l (4 gal.)
Velocidad de flujo.....	0,38 a 4,28 LPM
Peso completo.....	25 kg (55 lbs)
Temperatura ambiente recomendada para operar.....	-18°C a 50°C (0°F a 125°F)
Solamente tanque (Pesticida).....	49-16-28PS
Solamente tanque (Concreto).....	49-16-28CS
Solamente tanque (Agua).....	49-16-28WS

ENSAMBLAJE

⚠ ADVERTENCIA Recargue únicamente con el cargador especificado para la batería. Para conocer las instrucciones específicas de carga, lea el manual del operador incluido con su cargador y batería.

Retirar/insertar la batería

Para extraer la batería, presione los botones de liberación y jale la batería para sacarla de la herramienta.

⚠ ADVERTENCIA Siempre retire la batería antes de cambiar o retirar los accesorios.

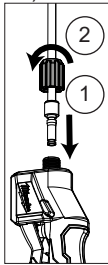
Para insertar la batería, deslice el paquete dentro del cuerpo de la herramienta. Asegúrese de que se fije firmemente en su lugar.

⚠ ADVERTENCIA Utilice únicamente accesorios específicamente recomendados para esta herramienta. Puede ser peligroso utilizar otros.

Conexión de la vara de rociado al mango del gatillo

(Cat. No. 49-16-28PS, 49-16-28CS)

1. Inserte la vara rociadora en el mango del gatillo (1) hasta que esté firmemente asentada.
2. Deslice la tuerca sobre el acoplamiento roscado y apriete a mano firmemente (2).
3. Tire de la vara de rociado para asegurarse de que esté correctamente asegurada.
4. Coloque el mango del gatillo y la vara ensamblada en uno de los lugares de almacenamiento de la vara.



Conexión la boquilla

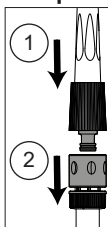
(Cat. No. 49-16-28PS, 49-16-28CS)

Seleccione y atornille la boquilla según el tipo de trabajo. Al usar la boquilla ajustable, ajuste el patrón de rociado según lo desee apretando/aflojando la boquilla.

Conexión de suministro de agua o boquilla

(Cat. No. 49-16-28WS)

Para conectar la manguera de suministro de agua a la herramienta o boquilla, empuje el accesorio de conexión rápida y la herramienta/boquilla juntos (1). Tire de la conexión para asegurarse de que esté bien asegurada. Para quitarlo, tire del collarín hacia atrás para soltarlo (2). Cuando utilice la boquilla, ajuste el patrón de pulverización según se desee apretando/aflojando la boquilla.



⚠ ADVERTENCIA Asegúrese de que la tapa de la batería esté cerrada y trabada cuando haya productos químicos.

Llenado del tanque

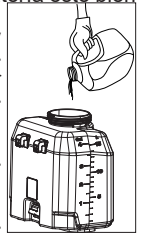
⚠ ADVERTENCIA Antes de llenar el tanque, retire el tanque de la base.

Asegúrese de que la tapa de la batería esté cerrada y trabada cuando haya productos químicos.

Mezcle los productos químicos según las instrucciones del fabricante. El incumplimiento de las instrucciones puede causar que los productos químicos agresivos dañen al usuario o dañen la herramienta.

Un colador extraíble evita que los residuos que pueden obstruir o dañar la bomba entren al tanque. Etiquete el contenido del tanque de acuerdo a cada uso. Solo ponga los líquidos recomendados en el tanque. Use solamente agua dentro del tanque de suministro de agua.

1. Asegúrese de que la tapa de la batería esté bien cerrada.
2. Retire el tanque de la base y colóquelo en una superficie nivelada lejos de la base para evitar exponer la base a productos químicos agresivos.
3. Destornille y quite la tapa del tanque; asegúrese de que el colador esté en su lugar.
4. Llène el tanque (hasta 4 galones; no llene en exceso). Use las marcas de galones en el lado del tanque como guía.
5. Vuelva a instalar la tapa del tanque.
6. Vuelva a instalar el tanque.



Instalación del tanque

1. Asegúrese de que la tapa de la batería esté bien cerrada.
2. Deslice los ganchos del tanque en la base y asiente el tanque en el depósito del tanque en la base.
3. Asegure el tanque a la base con los pestillos delantero y trasero del tanque; asegurándose de que el tanque esté nivelado, asentado firmemente y todos los sellos estén alineados.

⚠ ADVERTENCIA Cuando esté lleno, el rociador será pesado, tenga cuidado al colocarse la mochila para evitar lastimarse.

Colocación de la mochila

1. Asegúrese de que el tanque esté bien conectado a la base con los pestillos delantero y trasero del tanque, que la tapa del tanque esté instalada y que la tapa de la batería esté enganchada.
2. Levante la mochila por una de las correas para los hombros y deslice los brazos a través de cada correa.
3. Con el rociador en la espalda, apriete las correas de los hombros y la cintura hasta que queden ajustadas y firmes, en la parte superior de la espalda. Conecte la correa del pecho.
4. Asegúrese de que las correas de los hombros, el pecho y la cintura estén ajustadas pero cómodas; si están demasiado flojas, el rociador puede deslizarse sobre su espalda, haciendo que sea incómodo usarlo.
5. Tenga en cuenta que el contenido del tanque puede cambiar durante el uso y el movimiento, como torcerse o doblarse.

OPERACIÓN

Ajuste de la tasa de flujo

Seleccione la velocidad de flujo deseada de Baja (1) a Alta (5), según el trabajo y las instrucciones del fabricante del producto químico.

Caudal	2820-20PS (Boquilla de chorro)	2820-20CS (Boquilla de chorro)	2820-20WS (Abrir flujo)
1	0,38 LPM	0,53 LPM	0,61 LPM
2	0,64 LPM	0,79 LPM	0,83 LPM
3	0,91 LPM	1,25 LPM	1,32 LPM
4	1,32 LPM	1,67 LPM	2,01 LPM
5	1,93 LPM	3,10 LPM	4,28 LPM

⚠ ADVERTENCIA Para reducir el riesgo de lesiones, siempre use equipo de protección personal (EPP) de acuerdo con las instrucciones del fabricante del producto químico. Siempre use protección para los ojos. Siempre asegúrese de que el pestillo del compartimiento de la batería esté bien cerrado antes de usarlo.

Asegúrese de que el bloqueo del mango del gatillo no esté enganchado antes de ENCENDER la herramienta.

ENCENDIDO/ APAGADO de la herramienta

1. Instale la batería. Cierre y enganche el compartimiento de la batería.
2. Para **ENCENDER** el rociador, coloque el botón de encendido y apagado en "I". El LED de encendido se pondrá en verde.
3. Para **iniciar** el flujo de líquido a la vara de rociado, apriete el gatillo.
4. Para **detener** el flujo de líquido a la vara de rociado, suelte el gatillo.
5. Para **APAGAR** el rociador, coloque el botón de encendido y apagado en "O".

NOTA: Tenga en cuenta que puede quedar algo de material de rociado dentro de la vara rociadora y ocasionar goteo. Para drenar, apague la herramienta, luego tire del gatillo y apunte la herramienta hacia abajo hasta que se detenga el goteo.

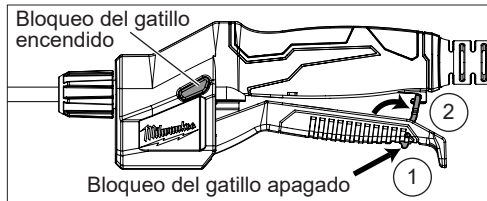
Bloqueo del gatillo encendido

(Cat. No. 49-16-28PS, 49-16-28CS)

Utilice el bloqueo del gatillo al rociar durante un tiempo prolongado o cuando cubra un área grande.

1. Para bloquear, oprima el gatillo y oprima el botón de bloqueo.
2. Para liberar el bloqueo, oprima y suelte el gatillo.

NOTA: Asegúrese de que el gatillo no esté bloqueado antes de apagar el rociador para evitar el rociado accidental cuando se reinicie el rociador.



Bloqueo del gatillo apagado

(Cat. No. 49-16-28PS, 49-16-28CS)

- Para evitar rociados accidentales, bloquee el gatillo.
1. Presione la palanca de bloqueo en el extremo del gatillo (1).

2. Enganche la palanca de bloqueo en el gancho debajo del gatillo (2).

3. Para soltar, empuje la palanca hacia atrás en el gatillo.

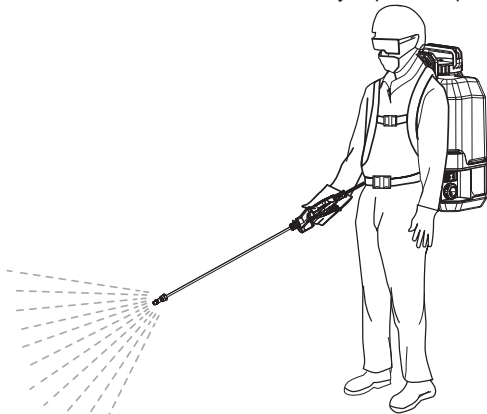
APLICACIONES

⚠ ADVERTENCIA Antes de usar productos o soluciones químicas, lea y siga todas las instrucciones del fabricante original. Lea todas las hojas de información de seguridad (SDS) y las etiquetas de los recipientes que se proporcionan con el producto químico. Los productos químicos pueden causar lesiones corporales graves, daños materiales o daños a la herramienta. Use equipo de protección personal (EPP) de acuerdo con las instrucciones del fabricante del producto químico. Siempre use protección para los ojos.

Rociado

(Cat. No. 49-16-28PS, 49-16-28CS)

1. Llene el tanque y luego instálelo en la base.
2. Colóquese la mochila y ajuste adecuadamente las correas.
3. Encienda la herramienta.
4. Oprima el gatillo y comience a barrer la boquilla de lado a lado, cubriendo la superficie deseada de manera uniforme de acuerdo con las instrucciones del fabricante del producto químico.
5. Si lo desea, bloquee el gatillo para el uso extendido.
6. Cuando haya terminado, suelte el gatillo, apague la herramienta, retire la mochila, drene y limpie el tanque.



Abastecimiento de agua

(Cat. No. 49-16-28WS)

1. Llene el tanque con agua limpia y luego instálelo en la base.
2. Coloque la herramienta cerca del trabajo dentro del rango de la manguera de suministro de agua.
3. Conecte la manguera de suministro de agua con el accesorio de conexión rápida. Tire de la conexión para asegurarse de que esté bien firme.
3. Para iniciar el flujo de agua, encienda la herramienta.
4. Monitoree el nivel de agua en el tanque. Cuando esté vacío, apague la herramienta, desconecte la manguera y vuelva a llenar el tanque. No opere la herramienta cuando el tanque esté vacío.
5. Cuando haya terminado, apague la herramienta, desconecte la manguera, drene y limpie el tanque.

MANTENIMIENTO

Mantenimiento de la herramienta

Mantenga su herramienta, batería y cargador en buenas condiciones adoptando un programa periódico de mantenimiento. Inspeccione que no haya problemas en su herramienta como ruido excesivo, desalineación, amarre de partes móviles, partes rotas o alguna otra condición que pueda afectar su funcionamiento. Regrese la herramienta, batería y cargador a un centro de servicio MILWAUKEE para reparación. Después de seis meses a un año, dependiendo del uso, devuelva la herramienta, la batería y el cargador a un centro de servicio MILWAUKEE para inspección. Si la herramienta no arranca o no se opera a plena potencia con una batería completamente cargada, limpie los contactos de la batería. Si la herramienta sigue sin funcionar correctamente, devuelva la herramienta, el cargador y la batería a un centro de servicio MILWAUKEE para repararla.

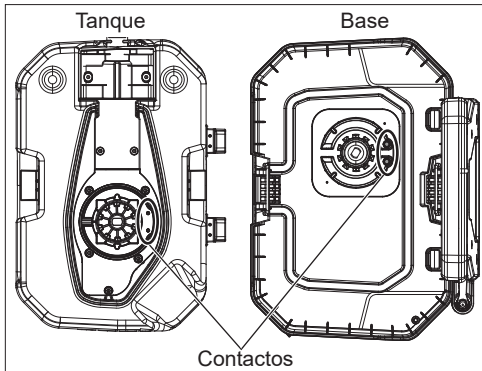
¡ADVERTENCIA! Para reducir el riesgo de lesiones personales y daños materiales, nunca sumerja su herramienta, batería o cargador en líquido, ni permita que un líquido fluya hacia su interior. No use blanqueador como agente de limpieza.

Limpieza

Limpie el polvo y los desechos de las rejillas. Mantenga las asas limpias, secas y libres de aceite o grasa. Use solamente jabón suave y un paño húmedo para limpiar, puesto que ciertos agentes de limpieza y solventes son dañinos para los plásticos y otras partes aisladas. Algunos de estos incluyen gasolina, trementina, adelgazador de barniz, adelgazador de pintura, solventes de limpieza con cloro, amoniaco y detergentes caseros que contienen amoniaco. Nunca use solventes inflamables o combustibles alrededor de las herramientas. Mantenga limpios los postes de contacto eléctrico entre la parte inferior del tanque y la base.

Limpieza de contactos eléctricos

Mantenga los postes de contacto eléctricos entre la parte inferior del tanque y la base limpias. **¡ADVERTENCIA!** Retire el paquete de baterías de la herramienta antes de limpiar los contactos eléctricos. Limpie los contactos con un trapo limpio y seco sólo.



¡ADVERTENCIA! Para reducir el riesgo de lesiones, siempre use equipo de protección personal (EPP) de acuerdo con las instrucciones del fabricante del producto químico. Siempre use protección para los ojos.

Drenaje y limpieza del tanque, la manguera y la vara rociadora

Si queda líquido en el tanque después del rociado, se debe drenar el tanque antes de limpiarlo. No almacene productos químicos en el tanque. El tanque debe limpiarse antes de usar otro líquido. No mezcle los líquidos. Siga las instrucciones del fabricante del producto químico para una limpieza, almacenamiento y eliminación adecuados del exceso de líquido.

Para drenar:

1. Asegúrese de que la tapa de la batería esté bien cerrada.
2. Retire el réservoir de la base.
3. Vacíe el tanque en un recipiente adecuado a través del área de llenado. **¡ADVERTENCIA!** Utilice siempre el equipo de protección personal (EPI) de acuerdo con las instrucciones del fabricante del producto químico. Siempre use protección ocular.

Para limpiar:

1. Asegúrese de que la tapa de la batería esté bien cerrada.
2. Retire el tanque de la base y colóquelo en una superficie nivelada lejos de la base para evitar exponer la base a productos químicos agresivos.
3. Retire el tanque y llénelo alrededor de un tercio con agua limpia. Se puede agregar una pequeña cantidad de detergente doméstico suave. Vuelva a colocar la tapa y mueva suavemente el agua alrededor del tanque.
4. Instale el tanque y rocíe el agua hasta que el tanque se haya vaciado. Asegúrese de dirigir el rociado hacia un área que no se dañe con los residuos de químicos del tanque.
5. Repita el procedimiento con agua limpia hasta que el tanque esté completamente limpio. Lave el exterior de las boquillas y seque con un paño.
6. Limpie la parte exterior del tanque con un paño limpio y seco.
7. Deje que todas las piezas se sequen completamente antes de volver a instalar las piezas y guardar la unidad. Siempre vuelva a insertar el colador antes de volver a colocar la tapa del tanque.

Almacenamiento

Almacénele en interiores. Almacene la vara rociadora de manera segura en el área de almacenamiento de la vara. Guarde el rociador en un espacio interior seguro y bien ventilado con el tanque vacío.

Reparaciones

Si su herramienta, batería o cargador están dañados, envíela al centro de servicio autorizado más cercano.

ACCESORIOS

¡ADVERTENCIA! Utilice sólo los accesorios específicamente recomendados. Otros accesorios puede ser peligroso.

Para una lista completa de accesorios, visite nuestro sitio en Internet: www.milwaukeetool.com o póngase en contacto con un distribuidor.

COMUNICACIÓN INALÁMBRICA

Para productos que cuentan con funciones de comunicación inalámbrica, incluida ONE-KEY™. De conformidad con la parte 15.21 del Reglamento de FCC, no modifique este producto. La modificación podría ocasionar que se anule su autorización para operar el producto. Este dispositivo cumple con lo dispuesto en la parte 15 del Reglamento de la FCC así como las normas RSS de exención de licencia de ISED-Canada. La operación está sujeta a las siguientes dos condiciones: 1) Este dispositivo no debe ocasionar interferencia nociva y 2) este dispositivo debe aceptar cualquier interferencia que se reciba, incluyendo la interferencia que pueda ocasionar operación no deseada.

SOPORTE DE SERVICIO - MEXICO

CENTRO DE ATENCIÓN A CLIENTES

Techtronic Industries Mexico, S.A. de C.V.

Av. Presidente Masarik 29 Piso 7

11560 Polanco V Sección

Miguel Hidalgo, Distrito Federal, México

01 (800) 030-7777 o (55) 4160-3540

Lunes a Viernes (9am a 6pm)

O contáctanos en www.milwaukeetool.com.mx

GARANTÍA LIMITADA - E.U.A. Y CANADÁ

Cada producto de equipos eléctricos para el exterior* de MILWAUKEE (ver excepciones a continuación) tiene garantía solamente con el comprador original contra defectos del material y calidad. Sujeto a ciertas excepciones, MILWAUKEE reparará o reemplazará cualquier parte de un producto de equipos eléctricos para el exterior que, después de examinarse, sea determinado por MILWAUKEE que tienen material o calidad defectuosa durante un periodo de tres (3) años** después de la fecha de compra a menos que se estipule lo contrario. Se requiere la devolución del equipo eléctrico para el exterior a un lugar del Centro de servicio de una fábrica MILWAUKEE o Estación de servicio autorizado MILWAUKEE, con el flete pagado por anticipado y asegurado. Deberá incluirse una copia del comprobante de compra con la devolución del producto. Esta garantía no aplica a daños que MILWAUKEE determine provengan de reparaciones o intentos de reparaciones realizados por alguien que no sea personal autorizado de MILWAUKEE, por mal uso, alteraciones, abuso, deterioro normal, falta de mantenimiento o accidentes.

Deterioro normal: muchos productos de equipos eléctricos para el exterior necesitan reemplazo de partes y servicio periódico para lograr su mejor rendimiento. Esta garantía no cubre la reparación cuando el uso normal ha agotado la vida de una parte incluyendo, pero sin limitarse, al cabezal de la bordeadora, el carrete del cabezal de la bordeadora, las líneas de corte, cuchillas, líneas, cadenas, tubos de soplado, cepillos, juntas tóricas y sellos.

*Esta garantía no cubre las Baterías inalámbricas o un Producto recondicionado. Existen garantías separadas y distintas disponibles para estos productos.

**El periodo de garantía de las estructuras de tanque, mangueras, empuñaduras y extensiones es de un (1) año desde la fecha de compra. MILWAUKEE no cubre los cargos de fletes o mano de obra asociados con la inspección y pruebas de los productos de equipos eléctricos para el exterior, que MILWAUKEE determine que no sean sujetos a validación de garantía. Una validación de garantía debe estar respaldada por el descubrimiento de material o calidad defectuosa por parte de MILWAUKEE.

LA ACEPTACIÓN DE LAS SOLUCIONES EXCLUSIVAS DE REPARACIÓN Y REEMPLAZO DESCRITAS EN LA PRESENTE ES UNA CONDICIÓN DEL CONTRATO POR LA COMPRA DE CUALQUIER PRODUCTO MILWAUKEE. SI NO ACEPTA ESTA CONDICIÓN, NO DEBE COMPRAR EL PRODUCTO. BAJO NINGUNA CIRCUNSTANCIA MILWAUKEE SERÁ RESPONSABLE DE NINGÚN DAÑO INCIDENTAL, ESPECIAL, CONSECUENCIAL O PUNITIVO, O POR NINGÚN COSTO, HONORARIOS DE ABOGADOS, GASTOS,

PÉRDIDAS O RETRASOS, SUPUESTOS COMO CONSECUENCIA DE ALGUN DAÑO A, POR FALTA DE O DEFECTO DE NINGÚN PRODUCTO INCLUYENDO, PERO SIN LIMITARSE A ALGÚN RECLAMO POR PÉRDIDA DE GANANCIAS. ALGUNOS ESTADOS NO PERMITEN LA EXCLUSIÓN O LIMITACIÓN DE DAÑOS INCIDENTALES O CONSECUENCIALES, POR LO QUE LA LIMITACIÓN O EXCLUSIÓN ANTERIOR PUEDE NO APLICAR A USTED. ESTA GARANTÍA ES EXCLUSIVA Y EN LUGAR DE TODAS LAS DEMÁS GARANTÍAS EXPRESAS, ESCRITAS U ORALES. HASTA DONDE LO PERMITA LA LEY, MILWAUKEE NIEGA CUALQUIER GARANTÍA IMPLÍCITA, INCLUYENDO SIN LIMITARSE A GARANTÍA IMPLÍCITA DE COMERCIABILIDAD O APTITUD PARA UN USO O PROPOSITO EN PARTICULAR; HASTA DONDE DICHO DESCARGO DE RESPONSABILIDAD NO SEA PERMITIDO POR LA LEY, DICHAS GARANTÍAS IMPLÍCITAS SE LIMITAN A LA DURACIÓN DE LA GARANTÍA EXPRESA APLICABLE COMO SE DESCRIBE ARRIBA. ALGUNOS ESTADOS NO PERMITEN LIMITACIONES SOBRE CUÁNTO TIEMPO DURA UNA GARANTÍA IMPLÍCITA, ASÍ QUE LA LIMITACIÓN ANTERIOR PUEDE NO APLICAR A USTED. ESTA GARANTÍA LE DA DERECHOS LEGALES ESPECIALES Y QUIZÁ TAMBIÉN TENGA OTROS DERECHOS QUE VAN A VARIAR DE ESTADO A ESTADO.

Esta garantía aplica al producto vendido solamente en EE. UU. y Canadá.

Consulte la "Búsqueda del centro de servicio" ("Service Center Search") en la sección de Partes y servicios (Parts & Services) de la página web de MILWAUKEE www.milwaukeetool.com o llame al 1.800.SAWDUST (1.800.729.3878) para localizar su centro de servicio más cercano para el servicio de garantía y no garantía de una herramienta eléctrica de Milwaukee.

PÓLIZA DE GARANTÍA - VALIDA SOLO PARA MEXICO, AMÉRICA CENTRAL Y EL CARIBE

La garantía de TECHTRONIC INDUSTRIES es por 3 años a partir de la fecha original de compra.

Esta tarjeta de garantía cubre cualquier defecto de material y mano de obra en ese Producto.

Para hacer válida esta garantía, presente esta tarjeta de garantía, cerrada/sellada por el distribuidor o la tienda donde compró el producto, al Centro de Servicio Autorizado (ASC). O, si esta tarjeta no se ha cerrado/sellado, presente la prueba original de compra a ASC. Llame 55 4160-3547 para encontrar el ASC más cercano, para servicio, partes, accesorios o componentes.

Procedimiento para hacer válida esta garantía

Lleve el producto a ASC, junto con la tarjeta de garantía cerrada/sellada por el distribuidor o la tienda donde compró el producto, y cualquier pieza o componente defectuoso se reemplazará sin costo para usted. Cubriremos todos los costos de flete con relación a este proceso de garantía

Excepciones

Esta garantía no tendrá validez en las siguientes situaciones:

- Cuando el producto se use de manera distinta a la que indica el manual del usuario final o de instrucciones.
- Cuando las condiciones de uso no sean normales.
- Cuando otras personas no autorizadas por TECHTRONIC INDUSTRIES modifiquen o reparen el producto.

Nota: si el juego de cables está dañado, tiene que reemplazarse en un Centro de Servicio Autorizado para evitar riesgos eléctricos.

CENTRO DE SERVICIO Y ATENCIÓN

Llame al 55 4160-3547

IMPORTADO Y COMERCIALIZADO POR
TECHTRONIC INDUSTRIES, MÉXICO, S.A. DE C.V.
Miguel de Cervantes Saavedra No.301 Piso 5, Torre Norte
11520 Colonia Ampliación Granada
Miguel Hidalgo, Ciudad de México, México

Modelo: _____

Fecha de Compra: _____

Sello del Distribuidor: _____

MILWAUKEE TOOL
13135 West Lisbon Road
Brookfield, WI 53005 USA