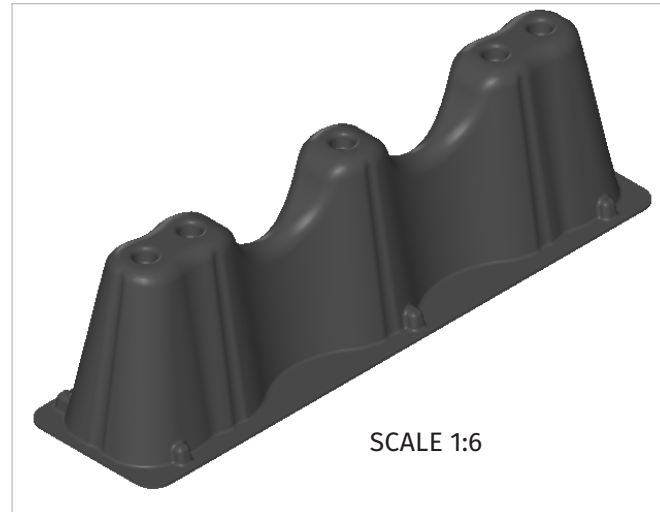
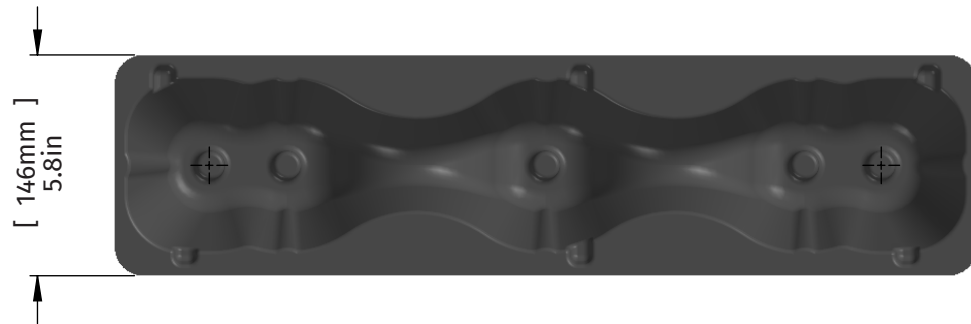
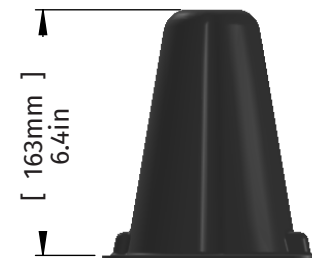
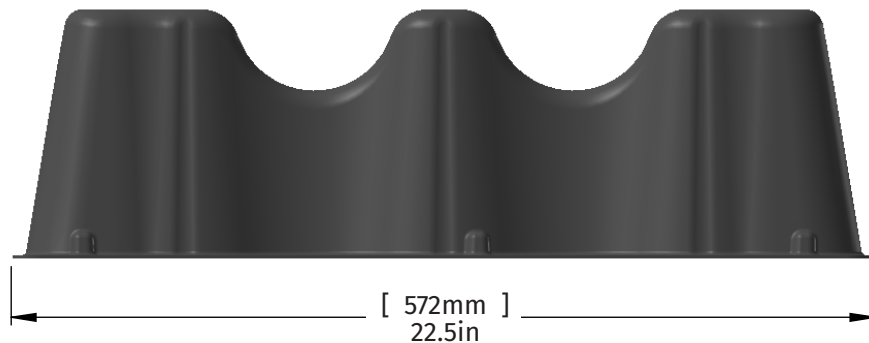


C



C

B



B

**NOTES:**

- Extreme Temperature Durability (-40°F to 260°F).
- High Tensile Strength.
- Crack/Split/Leak/Rust Resistant.
- Self Extinguishing.
- Made with Pride in the USA.

UNLESS OTHERWISE SPECIFIED:	
DIMENSIONS ARE IN INCHES	
TOLERANCES:	
FRACTIONAL	±.032
ANGULAR: MACH	±5°
TWO PLACE DECIMAL	±.010
THREE PLACE DECIMAL	±.005
INTERPRET GEOMETRIC TOLERANCING PER: ANSI Y14.5, 1994	

ENGINEERING	NAME	DATE
DRAWN BY ENGINEERING	DS	11/23/10
CHECKED BY ENGINEERING	DS	11/23/10
ENGINEERING APPR.	DS	11/23/10
MFG. APPR.	DS	11/23/10

PROPRIETARY AND CONFIDENTIAL

THE INFORMATION CONTAINED IN THIS DRAWING IS THE SOLE PROPERTY OF RECTORSEAL. ANY REPRODUCTION IN PART OR AS A WHOLE WITHOUT THE WRITTEN PERMISSION OF RECTORSEAL IS PROHIBITED.

R50258-0922



2601 Spenwick Drive  
Houston, TX 77055  
800-231-3345

**TITLE:**  
AG-GFR 23 x 6 x 7 SPECIFICATION SHEET  
ITEM #: 96252

SIZE <b>A</b>	SCALE: 1:5	SHEET 1 OF 1
------------------	------------	--------------

A