



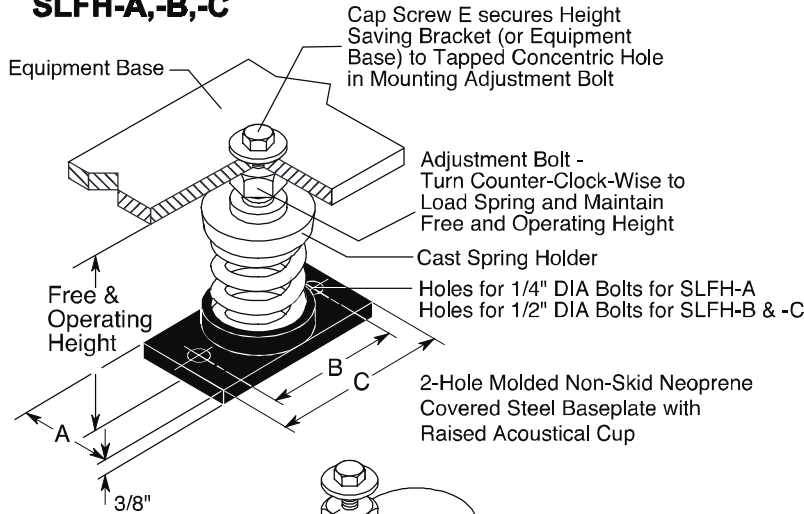
MASON INDUSTRIES, Inc.

Manufacturers of Vibration Control Products
 350 Rabro Drive 2101 W. Crescent Ave., Suite D
 Hauppauge, NY 11788 Anaheim, CA 92801
 631/348-0282 714/535-2727
 FAX 631/348-0279 FAX 714/535-5738
 Info@Mason-Ind.com Info@MasonAnaheim.com
 www.Mason-Ind.com

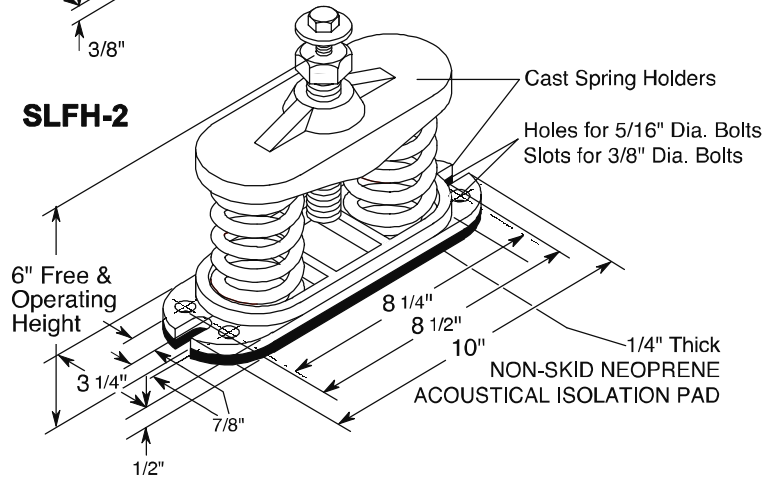
JOB NAME _____
 CUSTOMER _____
 CUSTOMER P.O. _____
 MASON M.I. _____
 DWG. NO. _____

TYPE
SLFH
 1" Deflection
 A, B, C & 2
 Series Mountings

SLFH-A,-B,-C



SLFH-2



TYPE SLFH RATINGS

Size	Rated Capacity (lbs)	Rated Defl. (in)	Mount Constant (lbs/in)	Spring Color/Stripe
SLFH-A-45	45	1.60	28	Blue
SLFH-A-75	75	1.50	50	Orange
SLFH-A-125	125	1.33	94	Brown
SLFH-A-200	200	1.15	174	Black
SLFH-A-310	310	1.00	310	Yellow
SLFH-A-400	400	1.00	400	Green
SLFH-A-510	510	1.00	510	Red
SLFH-A-625	625	1.00	625	White
SLFH-B-65	65	2.10	31	Brown
SLFH-B-85	85	2.10	40	White/Black
SLFH-B-115	115	2.00	57	Silver
SLFH-B-150	150	2.00	75	Orange
SLFH-B-280	280	1.60	174	Green
SLFH-B-450	450	1.31	344	Red
SLFH-B-750	750	1.12	670	White
SLFH-B-1000	1000	1.00	1000	Blue
SLFH-C-1000	1000	1.00	1000	Black
SLFH-C-1350	1350	1.00	1350	Yellow
SLFH-C-1750	1750	1.00	1750	Black*
SLFH-C-2100	2100	1.00	2100	Yellow*
SLFH-C-2385	2385	1.00	2385	Yellow**
SLFH-C-2650	2650	1.00	2650	Red*
SLFH-C-2935	2935	1.00	2935	Red**
SLFH-2-2700	2700	1.00	2700	Yellow
SLFH-2-3500	3500	1.00	3500	Black
SLFH-2-4200	4200	1.00	4200	Yellow*
SLFH-2-4770	4770	1.00	4770	Yellow**

* with RED core spring ** with GREEN core spring
 All springs have additional travel to solid equal to 50% of the Rated Deflection. Solid Spring Height = Free Height minus 1.5 times the Rated Deflection.

TYPE SLFH DIMENSIONS (inches)

Size	Free & Oper. Height	A	B	C	Locking Cap Screw
SLFH-A-45-400♦	4 1/4	2 1/4	3	3 5/8	3/8 x 1
SLFH-A-510-625	4 5/8	2 1/4	3	3 5/8	3/8 x 1
SLFH-B	6	2 3/4	4 1/8	5 1/4	1/2 x 1 1/4
SLFH-C	6	3	4 3/4	6	1/2 x 1 1/4
SLFH-2	-	-	-	-	1/2 x 1 1/4

SPRING DATA

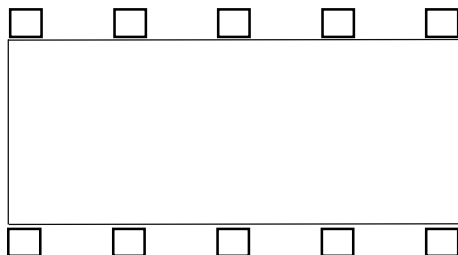
Spring OD	Free HT	Ratio K _x /K _y	Ratio OD/OH
1 3/4	3	0.70-0.90	0.88-1.25
1 3/4	3 1/8-3 3/8	0.50-0.60	0.74-0.82
2 3/8	4	0.70-0.90	0.80-1.25
2 3/8	4 1/8	0.90-1.00	0.92-0.94
2 7/8	4 1/8	0.90-1.00	0.92-0.94

♦ If using 45 thru 400 with 510 or 625, Free & Operating Height is 4 5/8".

Multiple spring Mounts have C-size springs.
 SLFH-2 indicates 2 springs.

PLAN VIEW OF MOUNT LOCATIONS

TAG : _____
 UNIT : _____



_____ inch SPECIFIED DEFLECTION

1 :	6 :
2 :	7 :
3 :	8 :
4 :	9 :
5 :	10 :

Material for One Set : _____ Sets Required