



# MASON INDUSTRIES, Inc.

Manufacturers of Vibration Control Products

350 Rabro Drive  
Hauppauge, NY 11788  
631/348-0282  
FAX 631/348-0279

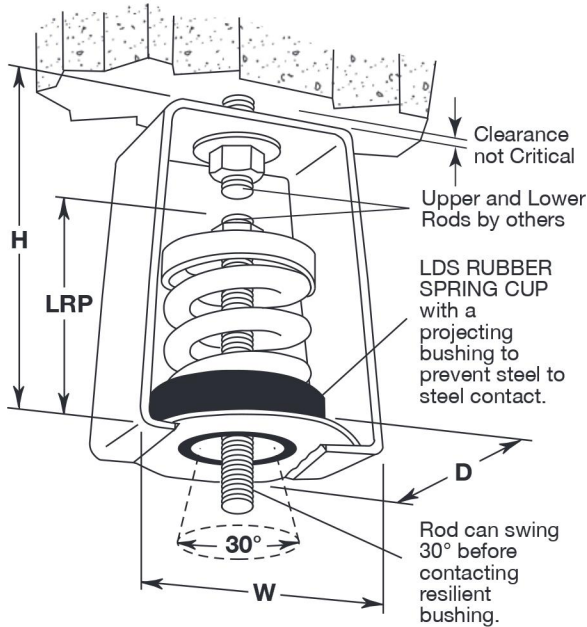
2101 W. Crescent Ave., Suite D  
Anaheim, CA 92801  
714/535-2727  
FAX 714/535-5738

Info@Mason-Ind.com • www.Mason-Ind.com

JOB NAME \_\_\_\_\_  
CUSTOMER \_\_\_\_\_  
CUSTOMER P.O. \_\_\_\_\_  
MASON M. \_\_\_\_\_  
DWG No. \_\_\_\_\_

# 30

1" 25mm Deflection  
X, A, B, C, D & F  
Spring Series  
Hangers



LDS stands for Low Dynamic Stiffness AASHTO Bridge Bearing Natural Rubber to minimize noise and vibration transmission. Maximum Dynamic Stiffness is 1.4.

### TYPE 30 RATINGS

| Type and Size | Rated Capacity<br>(lbs) (kg) |      | Rated Deflection<br>(in) (mm) |    | Spring Constant<br>(lbs/in) (kg/mm) |       | Spring Color |
|---------------|------------------------------|------|-------------------------------|----|-------------------------------------|-------|--------------|
| 30-X-12       | 12                           | 5    | 1.25                          | 32 | 10                                  | 0.18  | Orange       |
| 30-X-23       | 23                           | 10   | 1.30                          | 33 | 18                                  | 0.30  | Brown        |
| 30-X-33       | 33                           | 15   | 1.10                          | 28 | 30                                  | 0.54  | Copper       |
| 30-X-54       | 54                           | 24   | 1.20                          | 30 | 45                                  | 0.80  | White        |
| 30-X-76       | 76                           | 34   | 1.00                          | 25 | 73                                  | 1.36  | Black        |
| 30-X-113      | 113                          | 51   | 1.00                          | 25 | 113                                 | 2.04  | Brass        |
| 30-X-130      | 130                          | 59   | 1.00                          | 25 | 130                                 | 2.36  | Purple       |
| 30-X-175      | 175                          | 79   | 1.00                          | 25 | 175                                 | 3.16  | Silver       |
| 30-X-210      | 210                          | 95   | 1.00                          | 25 | 210                                 | 3.80  | Blue         |
| 30-A-12       | 12                           | 5    | 1.00                          | 25 | 12                                  | 0.20  | Copper       |
| 30-A-18       | 18                           | 8    | 1.00                          | 25 | 18                                  | 0.32  | Gray         |
| 30-A-25       | 25                           | 11   | 1.00                          | 25 | 25                                  | 0.44  | Orange       |
| 30-A-41       | 41                           | 19   | 1.18                          | 30 | 35                                  | 0.63  | Pink         |
| 30-A-56       | 56                           | 25   | 1.14                          | 30 | 49                                  | 0.83  | Black        |
| 30-A-73       | 73                           | 33   | 1.06                          | 27 | 69                                  | 1.22  | Tan          |
| 30-A-95       | 95                           | 43   | 1.01                          | 26 | 94                                  | 1.65  | Green        |
| 30-B-138      | 138                          | 63   | 1.32                          | 34 | 105                                 | 1.85  | White        |
| 30-B-222      | 222                          | 101  | 1.16                          | 29 | 191                                 | 3.48  | Blue         |
| 30-B-278      | 278                          | 126  | 1.09                          | 28 | 255                                 | 4.50  | Purple       |
| 30-B-336      | 336                          | 152  | 1.00                          | 25 | 336                                 | 6.08  | Silver       |
| 30-B-410      | 410                          | 186  | 1.07                          | 27 | 385                                 | 6.89  | Black        |
| 30-B-540      | 540                          | 245  | 1.00                          | 25 | 540                                 | 9.80  | Yellow       |
| 30-C-630      | 630                          | 286  | 1.13                          | 29 | 558                                 | 9.86  | Gray         |
| 30-C-800      | 800                          | 363  | 1.00                          | 25 | 800                                 | 14.52 | Orange       |
| 30-C-1010     | 1010                         | 458  | 1.10                          | 28 | 920                                 | 16.36 | Green        |
| 30-C-1265     | 1265                         | 574  | 1.00                          | 25 | 1265                                | 22.96 | Red          |
| 30-D-1575     | 1575                         | 714  | 1.23                          | 31 | 1280                                | 23.03 | Pink         |
| 30-D-2150     | 2150                         | 975  | 1.03                          | 26 | 2095                                | 37.50 | Purple       |
| 30-F-2760     | 2760                         | 1252 | 1.00                          | 25 | 2760                                | 50.08 | Silver       |

### TYPE 30 DIMENSIONS

| Type and Size Range | D - Depth |      | H - Height |      | W - Width |      | LRP  |      | MRD  |      |
|---------------------|-----------|------|------------|------|-----------|------|------|------|------|------|
|                     | (in)      | (mm) | (in)       | (mm) | (in)      | (mm) | (in) | (mm) | (in) | (mm) |
| 30-X-12-210         | 21/2      | 64   | 41/4       | 108  | 27/8      | 73   | 31/2 | 89   | 3/8  | 10   |
| 30-A-12-25          | 23/4      | 70   | 53/4       | 146  | 31/4      | 83   | 31/2 | 89   | 5/8  | 16   |
| 30-A-41-95          | 23/4      | 70   | 53/4       | 146  | 31/4      | 83   | 4    | 102  | 5/8  | 16   |
| 30-B-138-540        | 4         | 102  | 71/4       | 184  | 43/4      | 121  | 41/4 | 108  | 5/8  | 16   |
| 30-C-630-1265       | 4         | 102  | 83/4       | 222  | 51/4      | 132  | 5    | 127  | 3/4  | 19   |
| 30-D-1575-2150      | 43/4      | 121  | 121/2      | 318  | 53/4      | 146  | 7    | 178  | 7/8  | 22   |
| 30-F-2760           | 6         | 152  | 12         | 305  | 61/4      | 159  | 7    | 178  | 7/8  | 22   |

LRP - Lower Rod Diameter  
MRD - Maximum Rod Diameter

All springs have additional travel to solid equal to 50% of the Rated Deflection.

### PLAN VIEW OF HANGER LOCATIONS

TAG: \_\_\_\_\_  
UNIT: \_\_\_\_\_



### SPECIFIED DEFLECTION

|                |     |
|----------------|-----|
| 1:             | 6:  |
| 2:             | 7:  |
| 3:             | 8:  |
| 4:             | 9:  |
| 5:             | 10: |
| Sets Required: |     |